

Inhoudsopgave

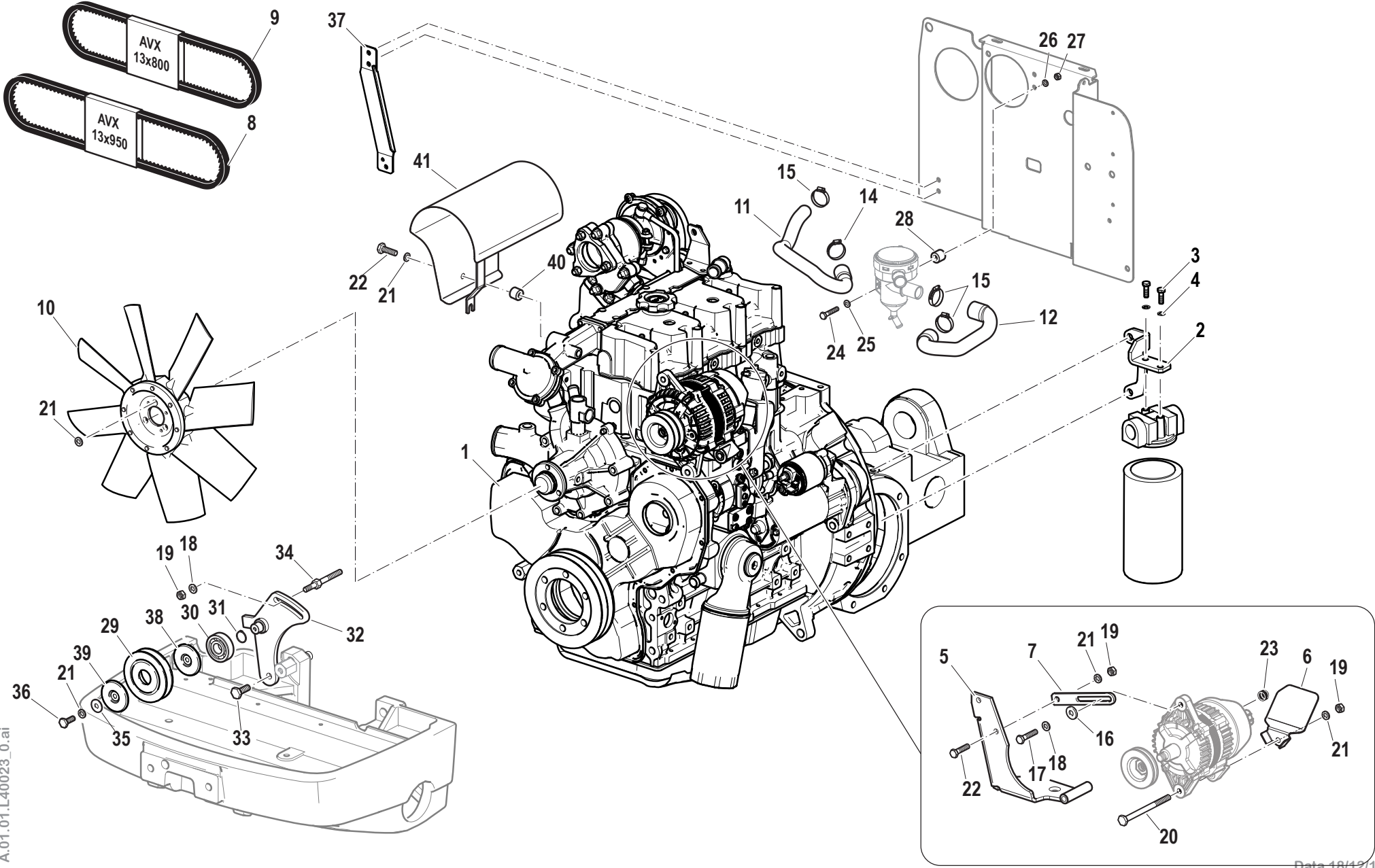
Achteras	56
Achteras Aandrijving	82
Bumper & Sluiting Motorkap	22
Dashbord	40
Differentieel Slot	86
Driepunt Achter Standaard	112
Electrisch	100
Gaskabels Voet & Handgas	10
Hef Cilinders	106
Hydrauliek Aansluiting Achter	108
Knikstuk (Middendeel)	52
Koppeling	60
Koppeling Pedalen	62
LuchtfILTER	16
Motor	6
Motorkap	24
Parkeer Rem	68
PTO	88
PTO Koppeling	92
PTO Schakeling	96
PTO / Diff, Hydraulisch schakel Sys.	104
Radiator & Slangen	12
Remmen	64
Rem Pedalen	66
Schakelrubbers en zitting Plaat	42
Schakelpoken & Gaffels	80
Spatschermen Achter	34
Spatschermen Voor	26
Spatschermen Voor Met Cabine	28
Stickers	38
Tandwielen	72
Tank	18
Trekhaak	114
Uitlaat	20
Voetsteunen	30
Vooras	50
Vooras Aandrijving	58
Wiel Eindvertraging	84
Wielen & Banden	116



Code	Description	Notes
A.01.01.L40023_0	ENGINE	Power: 60 CV
A.02.01.L40024_0	ENGINE CONTROLS	
A.03.01.L40023_0	RADIATOR	
A.04.01.L40023_0	AIR FILTER	
A.05.01.L40024_0	FUEL TANK	
A.06.01.L40023_0	MUFFLER	
B.01.01.L40023_0	FRONT SUPPORT	
B.02.01.L40024_0	BONNET	
B.03.01.L40026_0	FRONT MODGUARDS	
B.03.02.L40025_0	FRONT MUDGUARDS (VERSION WITH CAB)	
B.04.01.L40026_0	PEDANE	
B.05.01.L40026_0	PARAFANGHI POSTERIORI (COBRAM)	
B.07.01.L40025_0	PLATES AND STICKERS	
B.08.01.L40026_0	DASHBOARD	
B.09.01.L40026_0	SUPPORTO SEDILE / COPERTURE LEVE CAMBIO	
B.09.02.L40024_0	SEAT SUPPORT / GEAR LEVERS COVER	
C.01.01.L40025_0	FRONT AXLE	
C.02.01.L40026_0	CENTRAL SECTION	
C.03.01.L40025_0	REAR AXLE	
D.01.01.L40026_0	TRASMISSIONE ANTERIORE	
D.02.01.L40024_0	CLUTCH	
D.03.01.L40024_0	CLUTCH CONTROLS	
D.04.01.L40025_0	BRAKE	
D.05.01.L40026_0	BRAKES CONTROLS	
D.06.01.L40026_0	PARKING BRAKE	
D.07.01.L40023_0	GEARS MAIN SHAFT / GEARS	
D.08.01.L40023_0	GEARS TRANSMISSION SHAFT / GEARS	
D.09.01.L40023_0	COUNTERSHAFT AND CORRESPONDING GEARS	
D.10.01.L40024_0	GEARBOX CONTROLS	
D.11.01.L40026_0	TRASMISSIONE POSTERIORE	
D.12.01.L40023_0	REDUCTION GEARS	
D.13.01.L40023_0	DIFFERENTIAL LOCK	
D.14.01.L40023_0	POWER TAKE-OFF	
D.15.01.L40023_0	POWER TAKE-OFF	



Code	Description	Notes
D.16.01.L40024_0	POWER TAKE-OFF CONTROLS	
E.01.01.L40024_0	FRONT ELECTRICAL SYSTEM	
E.03.01.L40024_0	REAR ELECTRICAL SYSTEM	
F.04.01.L40023_0	PTO /DIFFERENTIAL LOCK HYDR. SYSTEM	
L.01.01.L40023_0	SOLLEVATORE IDRAULICO ALZA ABBASSA	
L.02.01.L40026_0	ALLESTIMENTO DISTRIBUTORI	
T.01.01.L40024_0	IMPLEMENTS ATTACHMENT - STANDARD	
T.03.01.L40023_0	PULL HOOK - STANDARD	
W.01.01.L40023_0	WHEELS AND TYRES	
W.01.02.L40023_0	WHEELS AND TYRES	
W.01.03.L40023_0	WHEELS AND TYRES	
W.01.04.L40023_0	WHEELS AND TYRES	
W.01.05.L40023_0	WHEELS AND TYRES	
W.01.06.L40023_0	WHEELS AND TYRES	
W.01.07.L40023_0	WHEELS AND TYRES	
W.01.08.L40023_0	WHEELS AND TYRES	
W.01.09.L40023_0	WHEELS AND TYRES	



A.01.01.L40023_0.ai

Pos.	Code	Q.ty	Description	Notes
1	41X70002	1	MOTORE VM D753TE3.22A	
2	561A2954	1	STAF.FIX FILT.ASP.K60 V65 grz	
3	31112212	2	SCREW TE M10X35 UNI 5739	
4	F0843755000	4	WASHER 10	
5	590A0359	1	GUARD	
6	561A0579	1	SHIELD	
7	561A0940Z	1	STAFFA TEND.ALTERN.55-75CV ZNT	
8	581A0271	1	ENGINE BELT	
9	581A0269	1	ENGINE BELT	
10	581A0331	1	FAN	
11	58177400	1	OIL PIPE	
12	580A0788	1	TUBO COP-CIL.DECANTATORE 55-65	
14	30021140	1	CLAMP 25-40 SX9CW1025040	
15	30021125	3	CLAMP 16-27 SX9CW1016027	
16	F0843711000	1	WASHER D.24x8,5/4	
17	31112152	1	SCREW TE M8X30 UNI 5739 8G	
18	31421083	1	WASHER	
19	31211080	4	NUT M8	
20	31112174	1	SCREW TE M8X110 UNI 5737 8.8	
21	F0843643060	8	WASHER 8	
22	31112151	4	SCREW TE M8X25 UNI 5739 8G	
23	58170866	1	NUT COVER	
24	31111097	2	SCREW TE M6X45 UNI 5737 8G	
25	31411064	2	WASHER 6,4x12,5	
26	F0843570000	2	WASHER 6	
27	31211060	2	NUT M6	
28	56172080	2	SPACER	
29	563A2927	1	PULEGGIA GALOPPINO TEND.65-75	
30	37112175	1	BEARING 6303-2RS (17X47X14)SKF	
31	35111047	1	SEEGER RING I 47 DIN 472	
32	590A2929F	1	STAFFA TEND.PUL.GAL.65-75CATAF	
33	31112210	3	SCREW TE M10X20 UNI 5739	
34	563A0265	1	SCREW	
35	31411090	1	WASHER 9x24	

SERIAL

ENGINE
Power: 60 CV

CODE REV

A.01.01.L40023_0

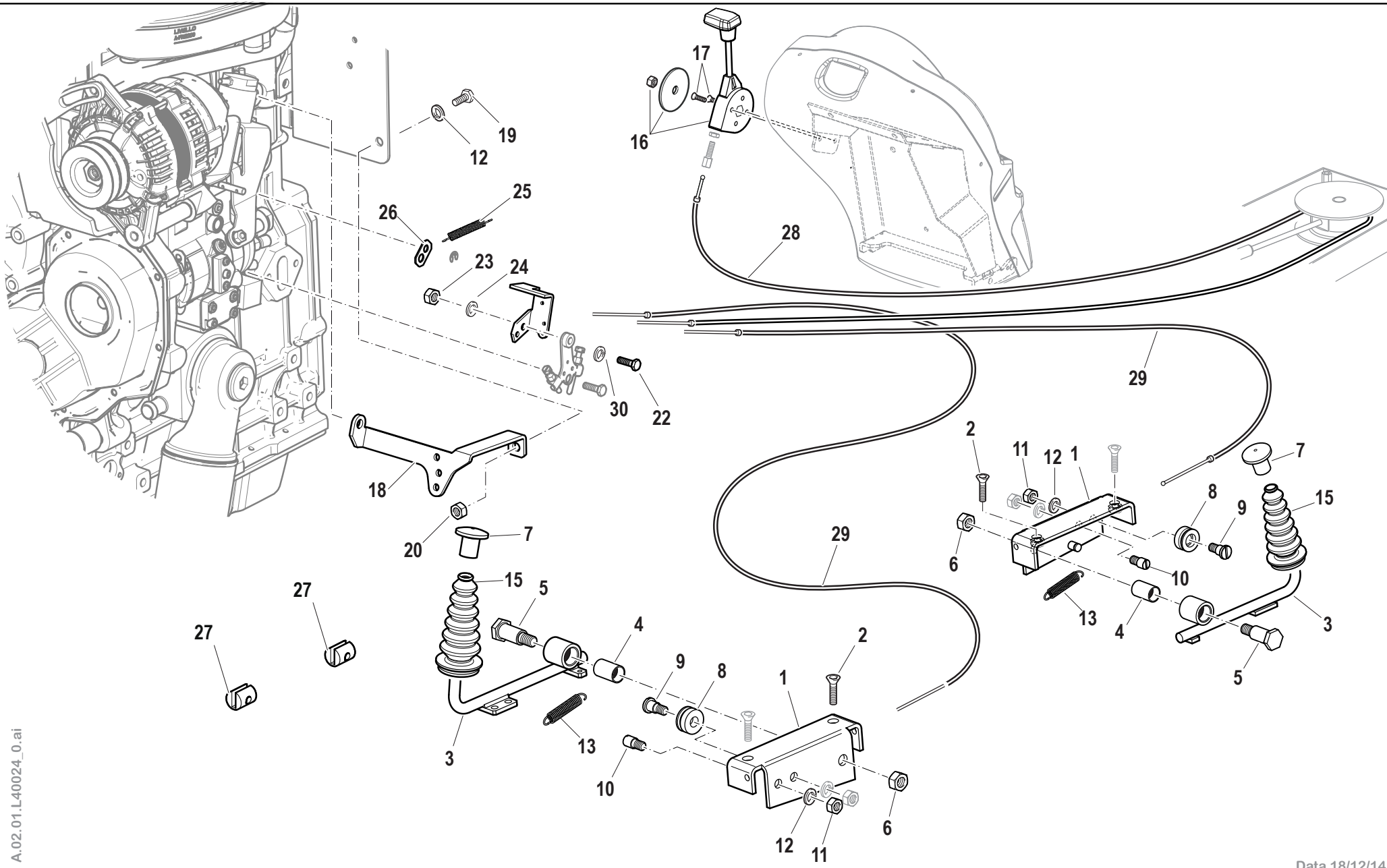
Pos.	Code	Q.ty	Description	Notes
36	31112148	1	SCREW TE M8X18 UNI 5739 8G	
37	561A3003	1	STAFFA FISS.PREF.POMP.ELET.V65	
38	563A2926	1	SCOD.PARAP.INT.TEND.65-75	
39	563A2103	1	SCOD.PARAPOLV.EST.TEND.55-65	
40	56171996	1	SPACER	
41	590A1941	1	DEFLETTORE VENTOLA 55-65	
42	31112208	2	SCREW TE M10X16 UNI 5739	

SERIAL

ENGINE
Power: 60 CV

CODE REV

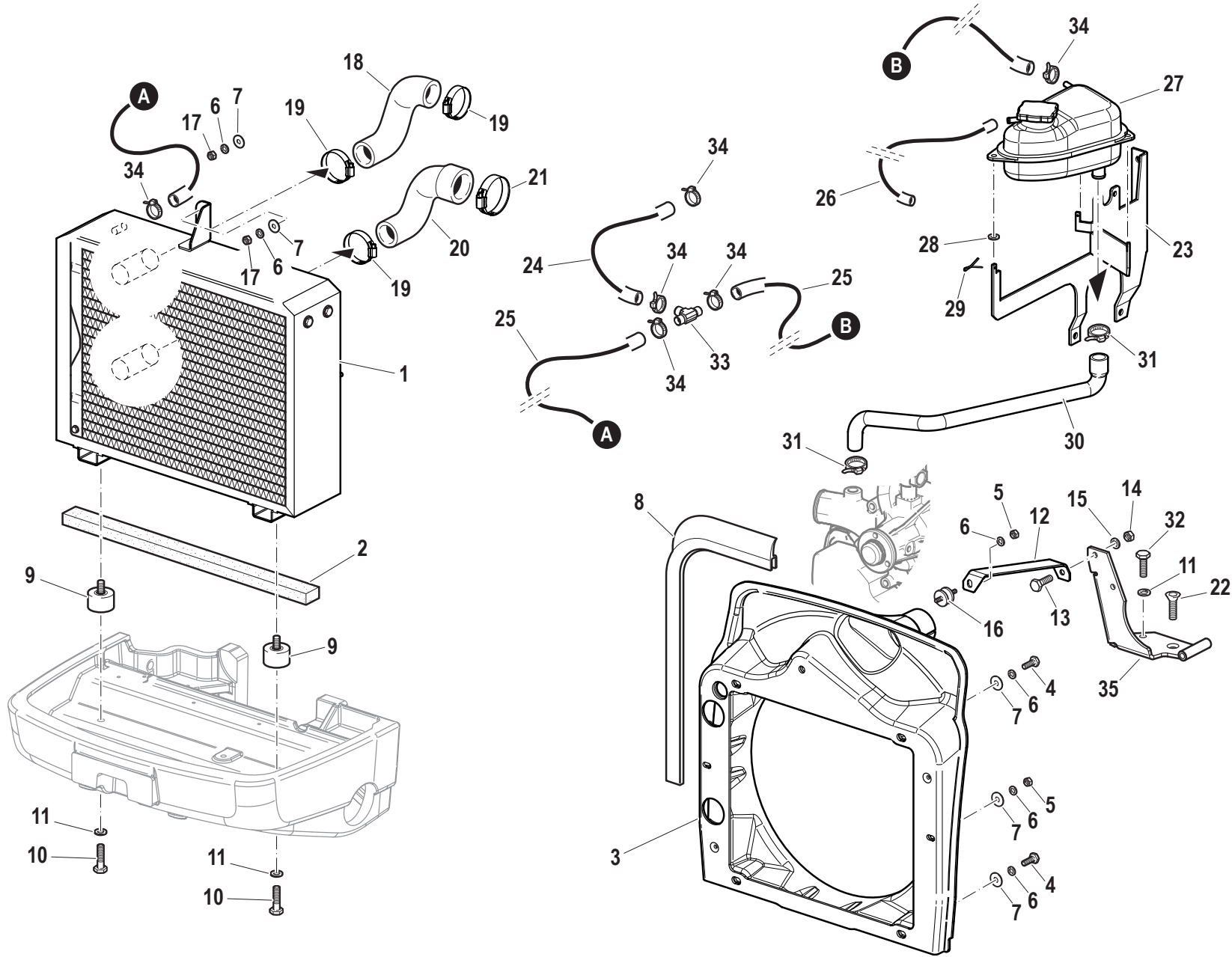
A.01.01.L40023_0



A.02.01.L40024_0.ai

Pos.	Code	Q.ty	Description	Notes
1	59077107	2	BRACKET	
2	31132565	4	SCREW TSVEI M8x16 UNI 5933	
3	59077101	2	ACCEL. PEDAL	
4	30030016	2	BUSHING 14x25	
5	56377112	2	SCREW	
6	31241101	2	SELFLOCK NUT M10	
7	57377110	2	FOOT REST	
8	57377106	2	PULLEY	
9	56375436	2	HINGE PIN	
10	56177648	2	GUIDE PIN	
11	31231080	4	NUT M8	
12	F0843643060	4	WASHER 8	
13	58073227	2	SPRING	
15	55277307	2	BELLOWS	
17	31132562	2	SCREW TSVEI M6X16 UNI 5933	
18	561A3316	1	STAFFA FISS.CAVI ACCEL-V65-	
19	31112090	1	SCREW TE M6X16 UNI 5739 8G	
20	31211080	1	NUT M8	
21	561A3001	1	STAFFA ACCELERATORE V65	
22	31112093	1	SCREW TE M6X20 UNI 5739 8G	
23	31211060	1	NUT M6	
24	F0843570000	1	WASHER 6	
25	560A0494	1	PLATE	
26	580A0495	1	RESTORING SPRING	
27	561A3106	3	MORSETTO CAVO ACCEL.K60	
28	580A3098	1	CAVO COM.ACCEL.MANO V65-REV-	
29	580A3097	2	CAVO COM.PEDALE ACCEL.V65	
30	31411064	1	WASHER 6,4x12,5	

RADIATOR



Pos.	Code	Q.ty	Description	Notes
1	581A2354	1	RADIATORE 5 RANGHI V65	
2	F0256910009	1	FOAM PROFILE 5X15	
3	573A1150	1	CONVOGLIATORE RADIATORE V65	
4	F0862129000	4	SCREW M6X18 UNI 5739 8.8	
5	31211060	2	NUT M6	
6	F0843570000	6	WASHER 6	
7	31411066	6	WASHER 6,6x18	
8	F0256809050	1	GASKET	
9	581A2792	2	SIL/BL 40x25 MF M10-16 45SH/A	
10	31112210	2	SCREW TE M10X20 UNI 5739	
11	F0843755000	3	WASHER 10	
12	561A0083	1	FIXING BRACKET	
13	31112151	1	SCREW TE M8X25 UNI 5739 8G	
14	31211080	1	NUT M8	
15	F0843643060	1	WASHER 8	
16	30010250	1	SILENT BLOCK	
17	F0814545000	2	NUT M6	
18	55174632	1	SLEEVE	
19	30021150	3	CLAMP 35-50 SX9CW1032050	
20	55177639	1	SLEEVE	
21	30021160	1	CLAMP 40-60 SX9CW1040060	
22	F0863208050	1	SCREW M10X20 UNI 5933	
23	561A3004	1	STAFFA SUPP.VASCHETTA V65	
24	580A0606	1	PIPE R6 (8x14) L=160	
25	58075873	2	VENT HOSE	
26	F0256112009	1	PIPE	
27	58093053	1	CUP	
28	F0824022000	3	SPECIAL GASKET D.8,4X12/1	
29	F0810510000	3	SPLIT PIN A2,0X20 UNI 1336	
30	580A1040	1	TUBO VASCH-POMPA ACQUA 85-95	
31	30021125	2	CLAMP 16-27 SX9CW1016027	
32	31112219	1	SCREW TE M10X25 UNI 5739	
33	58170339	1	PIPE FITTING	
34	30021116	6	CLAMP 5,6-16 W2	

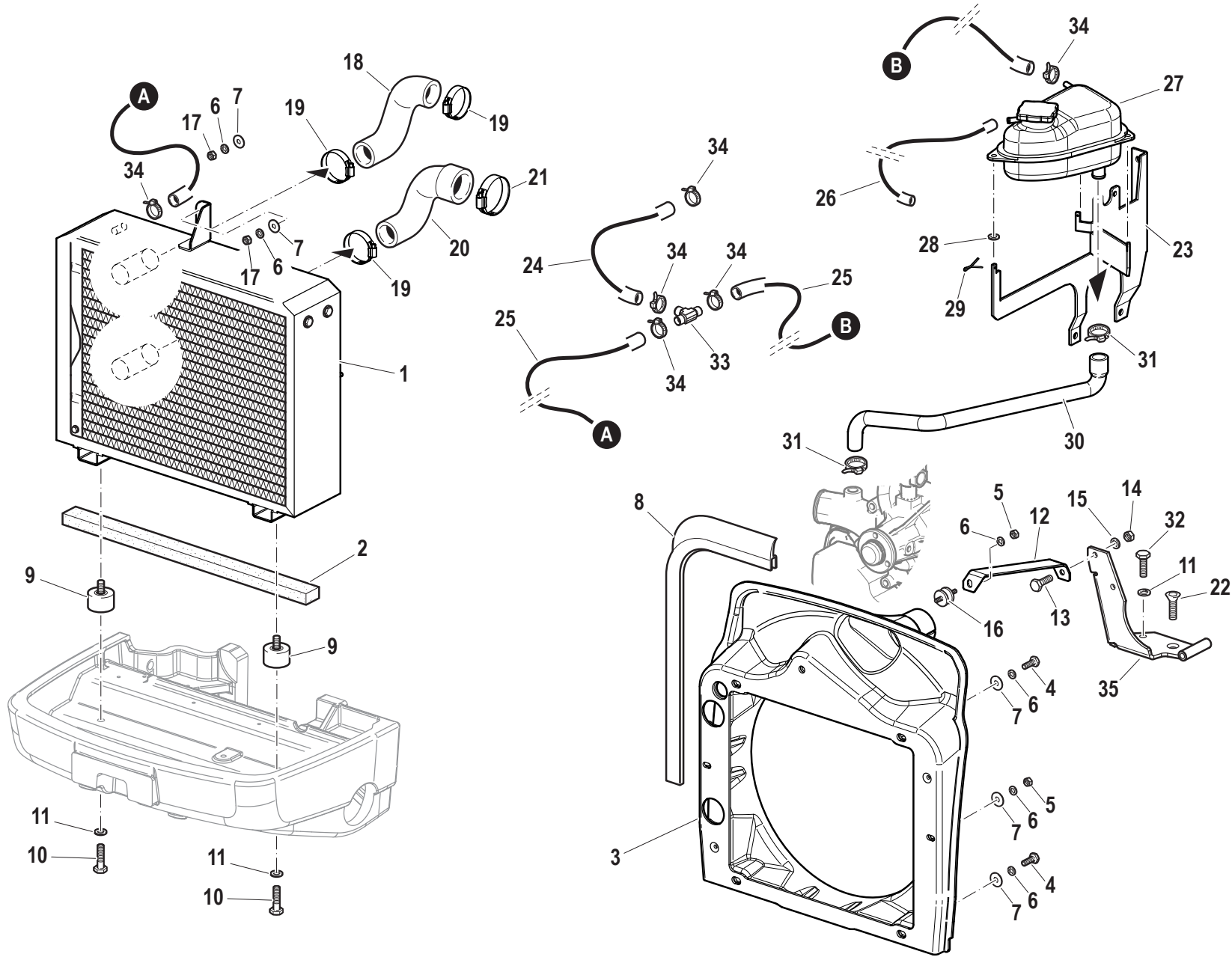
SERIAL

RADIATOR

CODE REV

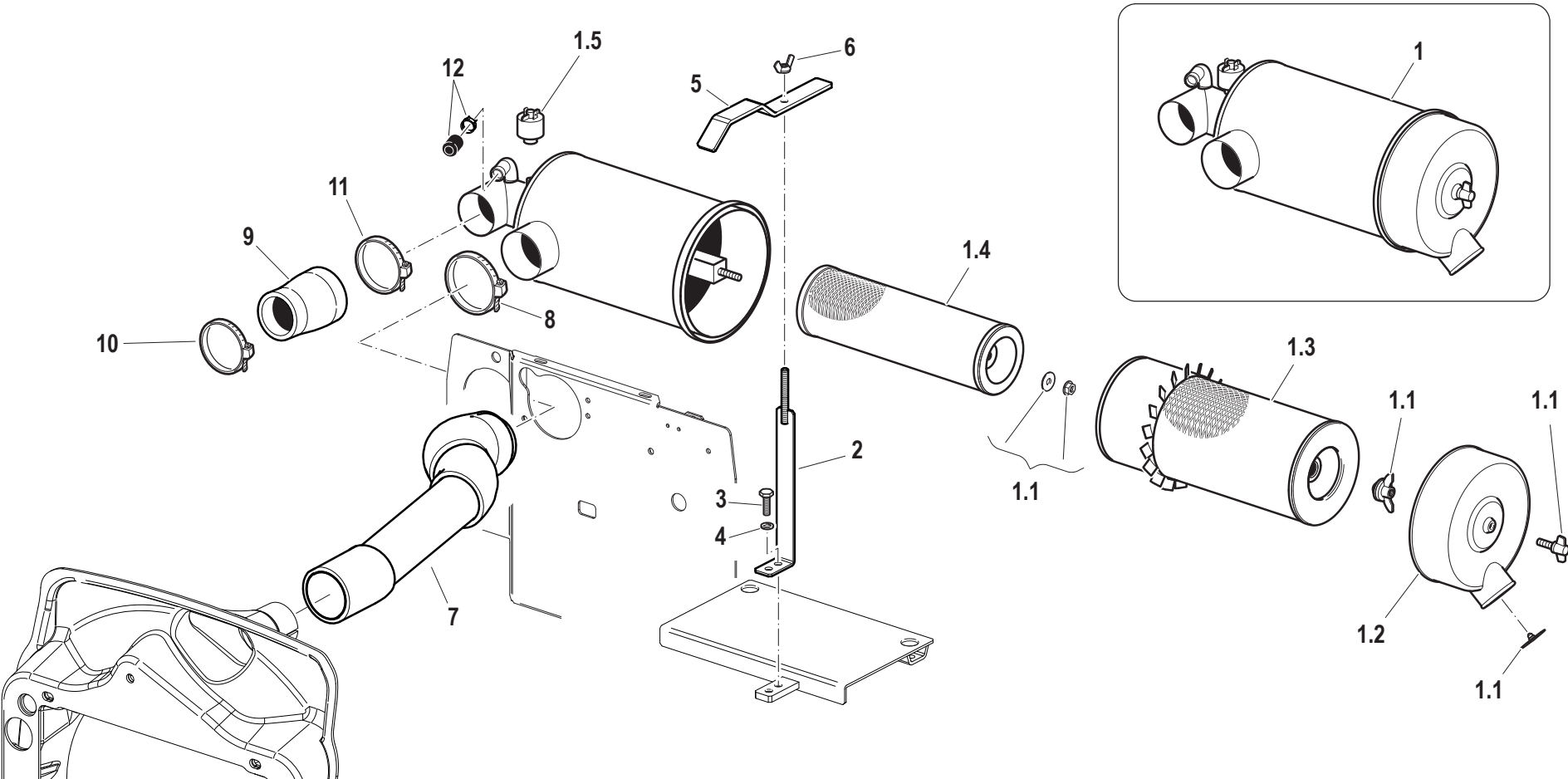
A.03.01.L40023_0

RADIATOR

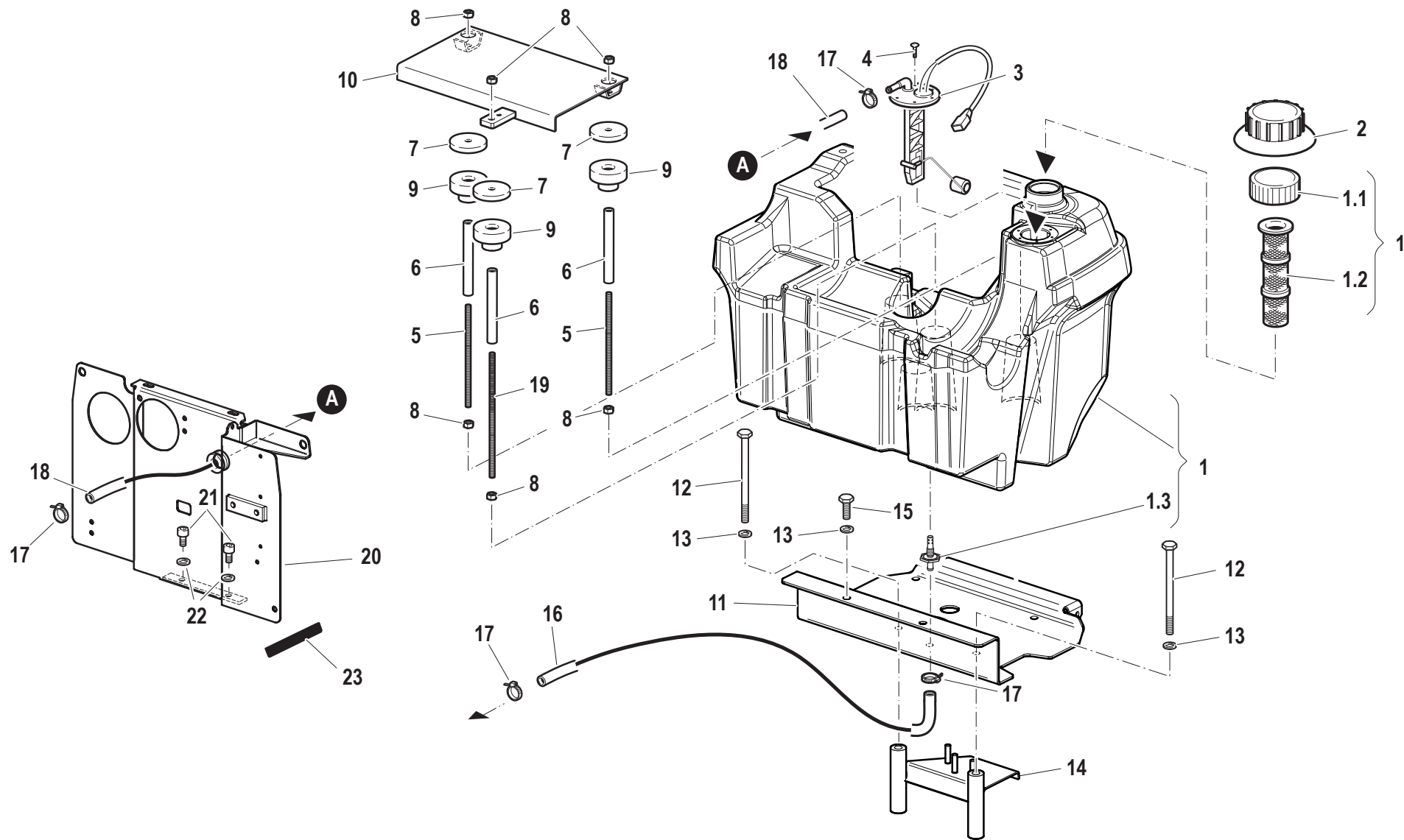


A.03.01.L40023_0

Pos.	Code	Q.ty	Description	Notes
35	590A0082	1	RETAINER	



Pos.	Code	Q.ty	Description	Notes
1	58176755	1	AIR FILTER	
2	590A0080	1	ROD	
3	31112149	1	SCREW TE M8X12 UNI 5739 8G	
4	F0843643060	1	WASHER 8	
5	561A0081	1	FIXING BRACKET	
6	31200501	1	NUT M8	
7	561A3009N	1	TUBO ASPIRAZ.ARIA V65-NERO-	
8	30021180	1	CLAMP 60-80 SX9CW1060080	
9	55174760	1	SLEEVE	
10	30021170	1	CLAMP 50-70 SX9CW1050070	
11	30021180	1	CLAMP 60-80 SX9CW1060080	
12	580A3010	1	MANICOTTO TUBO ASPIR.ARIA V65	
1,1	59900353	1	KIT	
1,2	59900347	1	COVER	
1,3	58171028	1	CARTOUCHE	
1,4	58171027	1	CARTOUCHE	
1,5	58175122	1	DIGITAL INSTRUMENT	



Pos.	Code	Q.ty	Description	Notes
1	552A2272	1	SERB.CARBURANTE V65-L60 * mr	
2	57371900	1	LINING	
3	58170238	1	CONTROL	
4	F0861867050	6	SCREW M4,2X19 DIN 7981	
5	56077608	2	ROD	
6	56176696	3	SPACER D.14x9/155,5	
7	56176814	3	SPACER D.55x8/4	
8	31211080	6	NUT M8	
9	58076752	3	STOPPER	
10	59076685	1	BATTERY SUPPORT	
11	590A2945F	1	SUPPORTO SERBATOIO V65 CATAF.*	
12	31112224	2	SCREW TE M10X130 UNI 5737	
13	F0843755000	4	WASHER 10	
14	590A2942	1	STAFFA FIX.SUPP.SERBAT.V65-L60	
15	31112210	2	SCREW TE M10X20 UNI 5739	
16	580A3013	1	TUBO CARBOPRESS(8x15)L=1100	
17	30021116	4	CLAMP 5,6-16 W2	
18	580A0607	1	TUBO CARBOPRESS(8x15)L=720	
19	56174635	1	ROD	
20	590A2996	1	PARATIA COMPL.SERBATOIO-V65-	
21	31112146	2	SCREW TE M8X22 UNI 5739 8G	
22	F0843696000	2	WASHER D.24x8/6	
23	F0256808000	1	FLAT BAND	
1.1	F0849500001	1	TANK COVER	
1.2	F0849500002	1	FILTER	

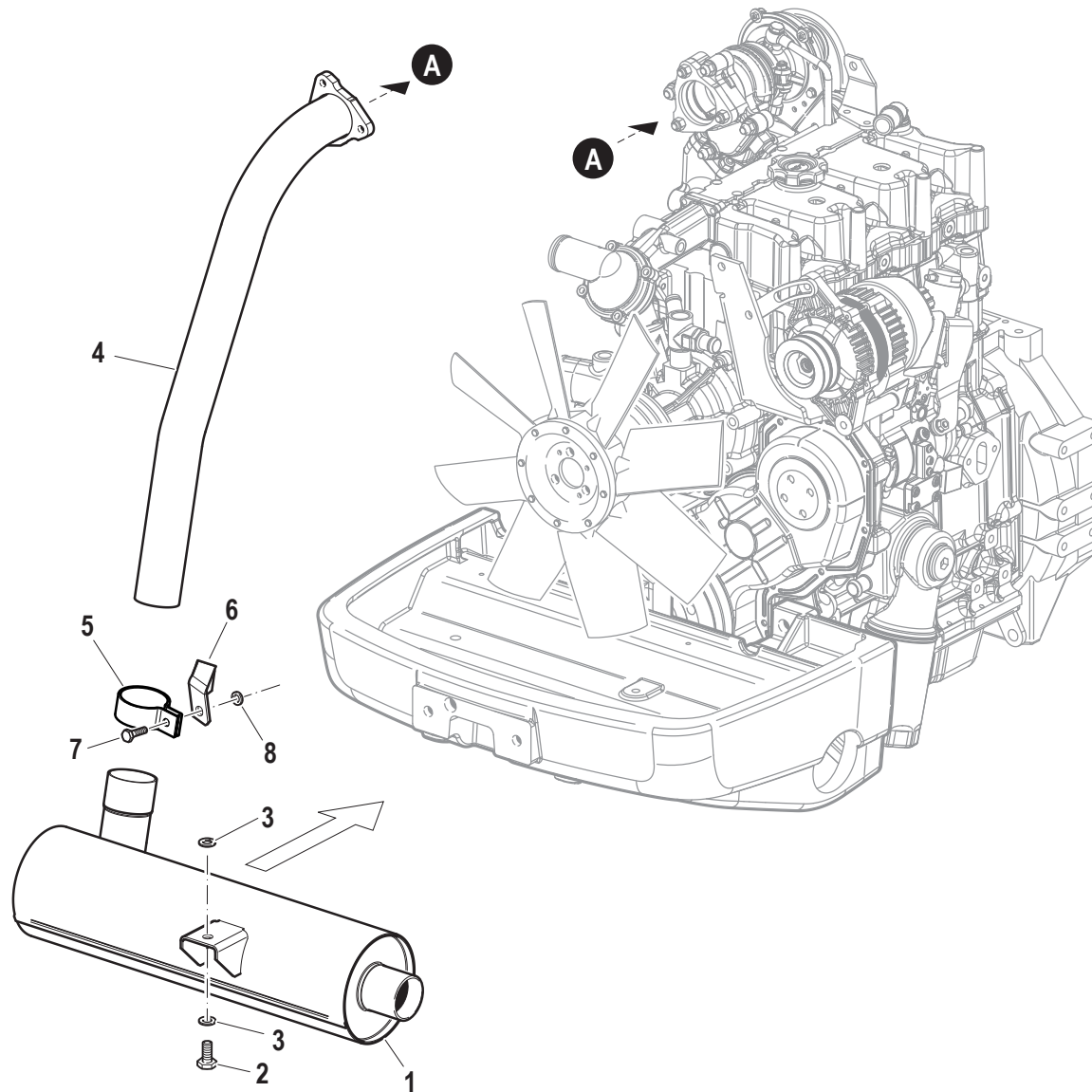
SERIAL

FUEL TANK

CODE REV

A.05.01.L40024_0

MUFFLER



Pos.	Code	Q.ty	Description	Notes
1	58179707	1	EXHAUST SILENCER	
2	31112208	1	SCREW TE M10X16 UNI 5739	
3	F0843755000	2	WASHER 10	
4	590A0031	1	EXHAUST	
5	58175121	1	COLLAR	
6	561A0102	1	FIXING BRACKET	
7	31111151	1	SCREW TE M8X16 UNI 5739 8G	
8	F0843643060	1	WASHER 8	

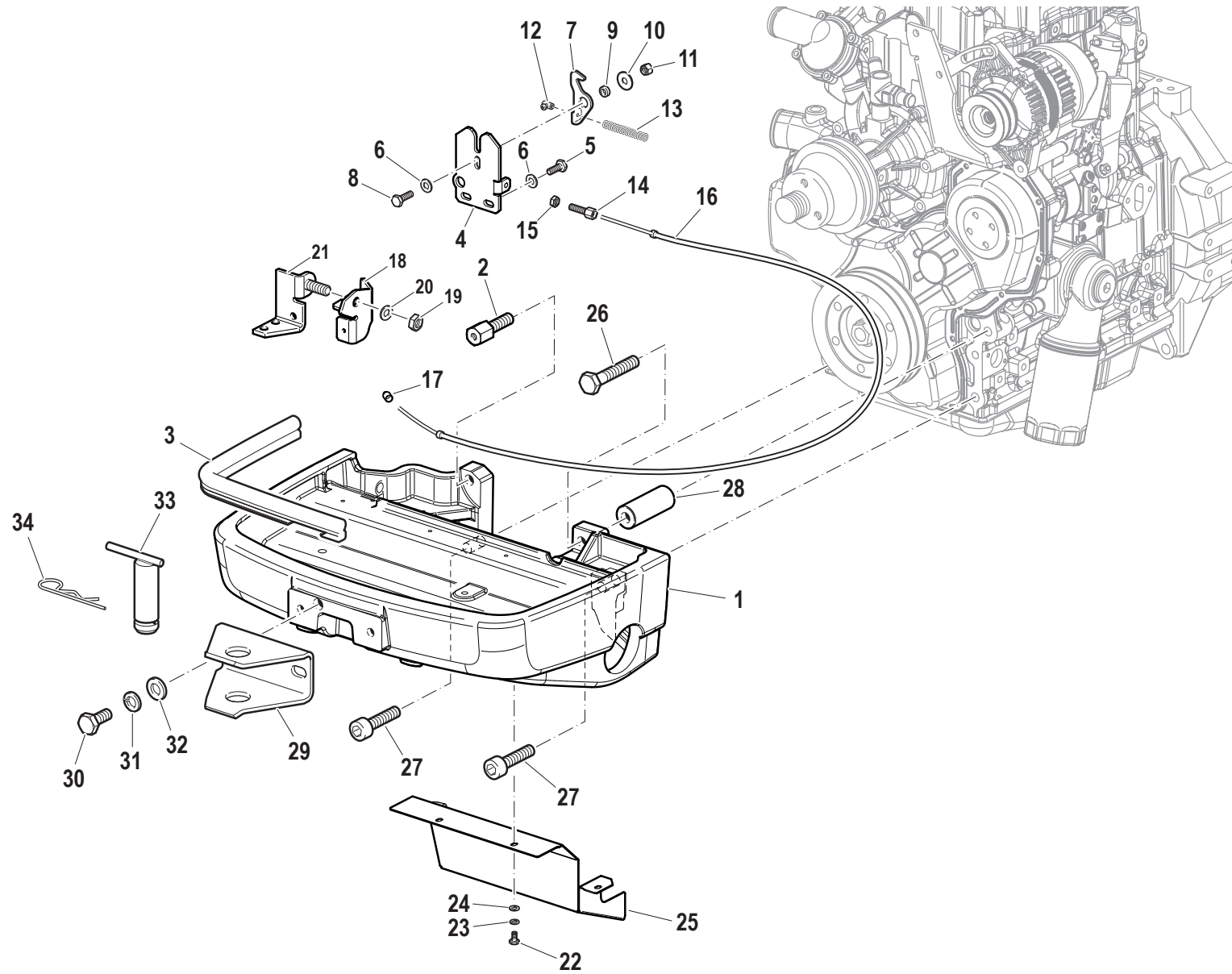
SERIAL

MUFFLER

CODE REV

A.06.01.L40023_0

FRONT SUPPORT



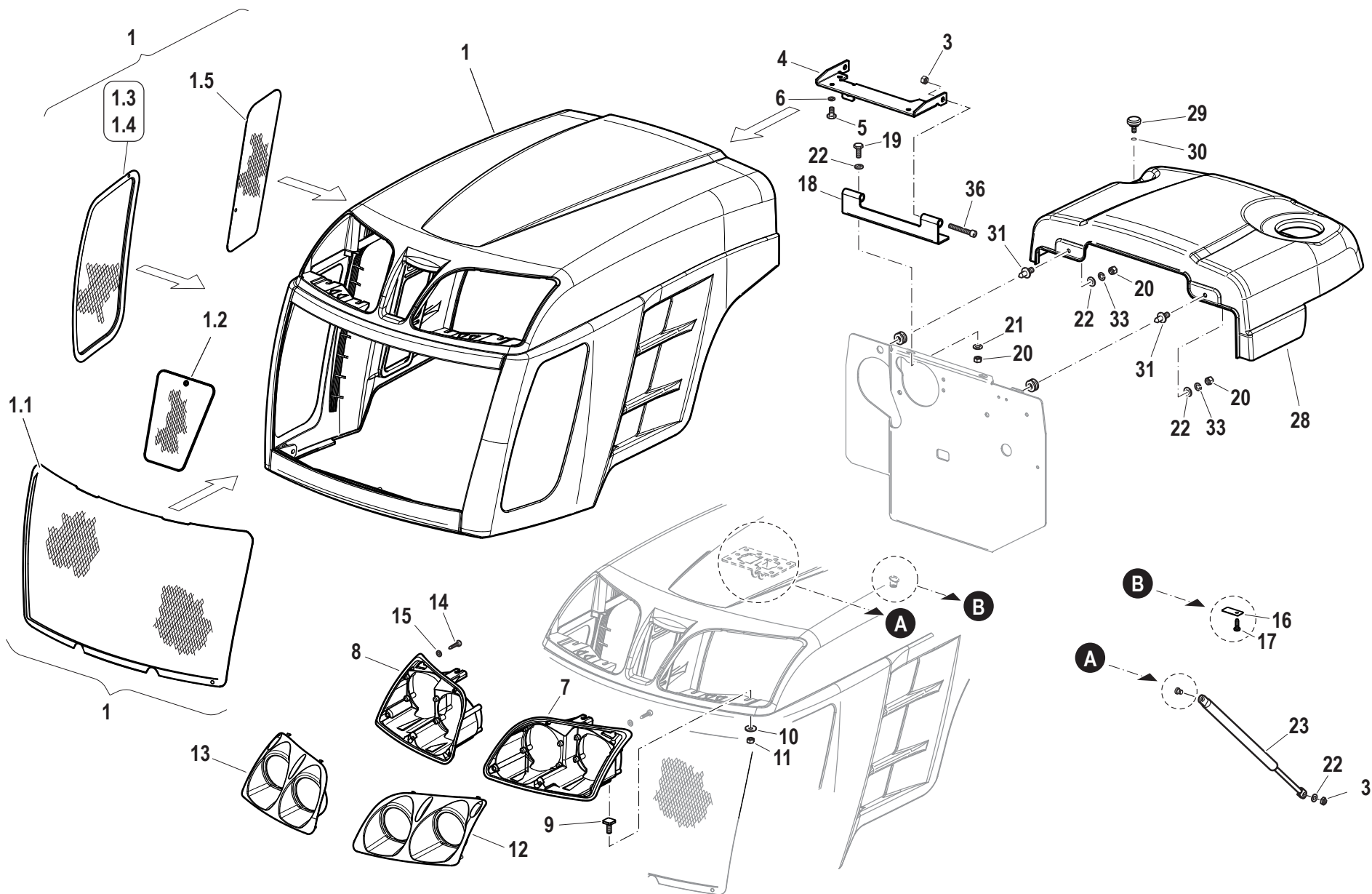
Pos.	Code	Q.ty	Description	Notes
1	511A1146	1	SUPPORTO ANTERIORE V65	
2	563A0264	1	SMALL COLUMN	
3	28177274	1	GASCKET RIF.182400153.945	
4	56179625	1	FIXING BRACKET	
5	31112150	2	SCREW TE M8X20 UNI 5739 8G	
6	31411084	3	WASHER 8,4x17	
7	56174658	1	HOOD HOOK	
8	31112151	1	SCREW TE M8X25 UNI 5739 8G	
9	56174659	1	SPACER	
10	31411090	1	WASHER 9x24	
11	31241080	1	SELFLOCK NUT M8	
12	58048002	1	CLAMPING SCREW	
13	F0831065000	1	SPRING	
14	56177656	1	REGISTER	
15	31231080	1	NUT M8	
16	58074831	1	CABLE	
17	58177111	1	SLEEVE	
18	561A1144	1	LEVA SGANCIO COFANO 55-65CV	
19	31241081	1	SELFLOCK NUT M8	
20	31411084	1	WASHER 8,4x17	
21	590A1145	1	SUPP.LEVA SGANCIO COF.55-65	
22	31112082	6	SCREW TE M6X12 UNI 5739 8G	
23	F0843570000	6	WASHER 6	
24	31411064	4	WASHER 6,4x12,5	
25	590A0021	1	SHIELD	
26	F0864335020	1	SCREW M14X120 UNI 5737	
27	F0864290010	2	SCREW M14X50 UNI 5931	
28	561A0297	1	SPACER	
29	56174873	1	TOW HOOK	
30	31112328	2	SCREW TE M14X35 UNI 5739	
31	F0843921030	2	WASHER 14	
32	31411150	2	WASHER 15x28	
33	59075283	1	PIN	
34	F0851497000	1	SPLIT PIN	

SERIAL

FRONT SUPPORT

CODE REV

B.01.01.L40023_0



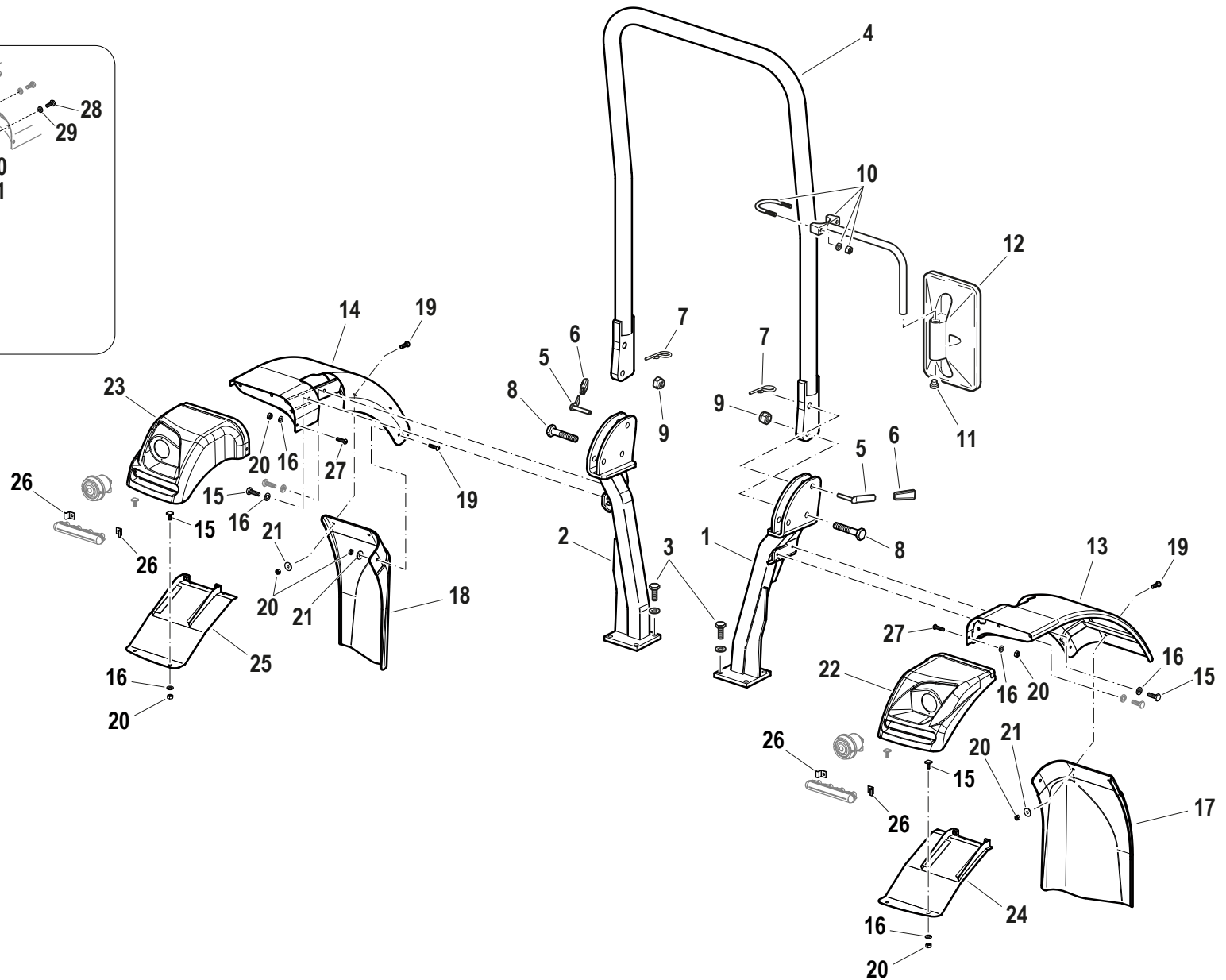
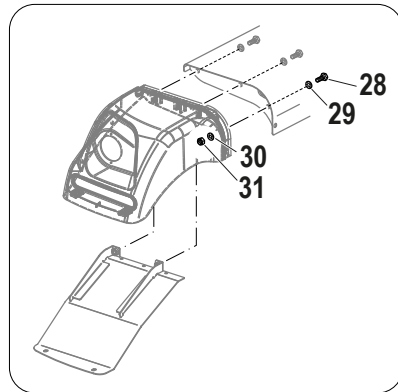
Pos.	Code	Q.ty	Description	Notes
1	59079983V	1	COMPLETE HOOD	
3	31241081	3	SELFLOCK NUT M8	
4	561A2957	1	CERN.SUPP.INTERR.COFANO V65	
5	31111091	4	SCREW E M6X14 UNI 5739 8G	
6	F0843570000	4	WASHER 6	
7	55279802	1	FRONT GRILLE	
8	55279803	1	FRONT GRILLE	
9	58079929	4	SCREW	
10	31411064	6	WASHER 6,4x12,5	
11	F0814547000	6	SELFLOCK NUT M6	
12	55279866	1	COVER	
13	55279867	1	COVER	
14	31510090	4	RIBBED SCREW	
15	31413042	4	WASHER 3,2	
16	56179997	4	CONTROL PLATE	
17	F0861830100	4	RIBBED SCREW 3,9X13AB DIN7981	
18	561A0084	1	HOOD HINGE	
19	31112150	2	SCREW TE M8X20 UNI 5739 8G	
20	31211080	4	NUT M8	
21	F0843643060	2	WASHER 8	
22	31411084	5	WASHER 8,4x17	
23	581A0376	1	GAS SPRING	
28	573A3126V	1	COP.SERBAT(A3126)VERDE 6029	
29	56174835	1	KNOB	
30	35211060	1	SEEGER RING E 6 UNI 7434	
31	561A3068	2	PERNO CENTRAGGIO COPERTURE	
33	F0843643060	2	WASHER 8	
36	31152088	2	SCREW TCEI M8X55 UNI 5931	
1.1	56079984N	1	GRIGLIA ANT.COF.55-65(NERA)	
1.2	56079987N	1	GRIGLIA SUP.COF.55-65(NERA)	
1.3	56079985N	1	GRIGL.ANT.SX COF.55-65(NERA)	
1.4	56079986N	1	GRIGL.ANT.DX COF.55-65(NERA)	
1.5	56079988N	2	GRIGLIA LAT.COF.55-65(NERA)	

SERIAL

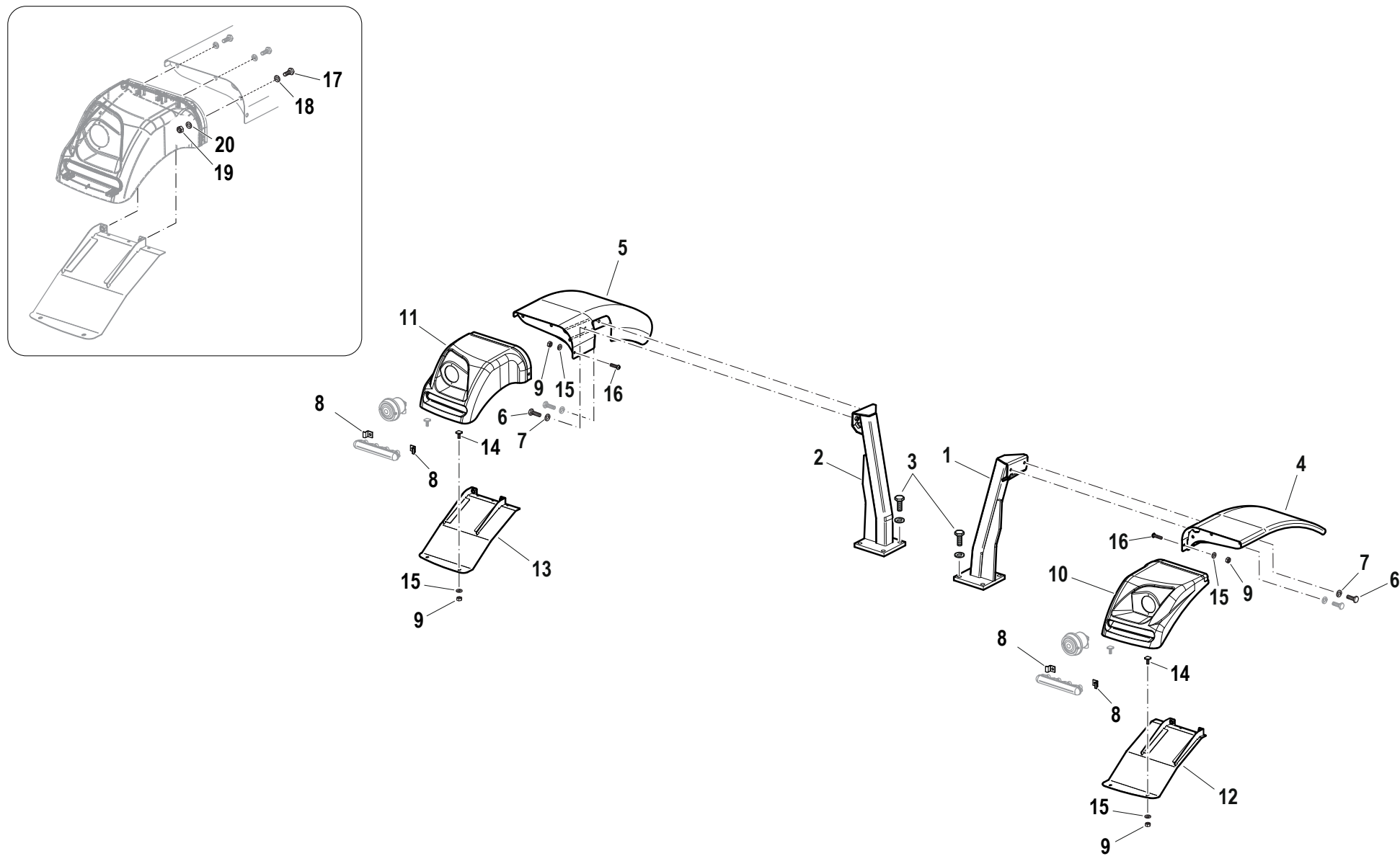
BONNET

CODE REV

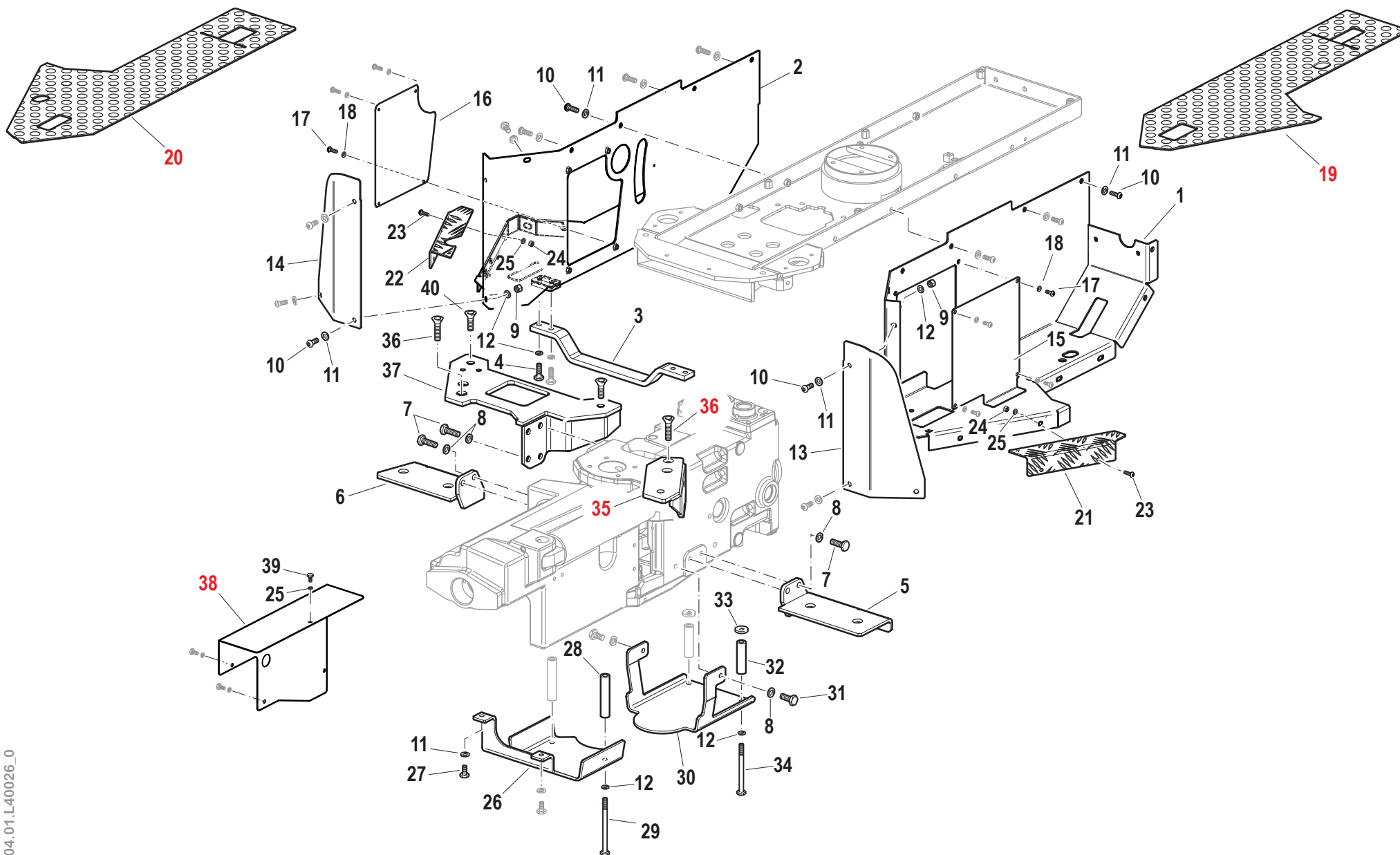
B.02.01.L40024_0



Pos.	Code	Q.ty	Description	Notes
1	59079844	1	LEFT SUPPORTING COLUMN	
2	59079845	1	RIGHT SUPPORTING COLUMN	
3	31112272	8	SCREW TE M12X30 UNI 5739	
4	590A2254	1	ARCO DI SICUR.ANT.K60-V65-L60	
5	59076690	2	HINGE PIN	
6	P91728000000	2	GRIP	
7	P43914900000	2	SPLIT PIN	
8	F0864377000	2	SCREW M16X70 UNI 5737	
9	F0814794000	2	SELFLOCK NUT M16 CL.6	
10	561A2371	1	MORS.MASCHIO SPECC.RETROV. grz	
11	590A2372	1	MORS.FEMMINA SPECC.RETROV.grz	
12	580A2365	1	SPECCHIO RETROVISORE 6169001	
13	590A1992V	1	LEFT FRONT FENDER	
14	590A1993V	1	RIGHT FRONT FENDER	
15	58079929	8	SCREW	
16	31411064	8	WASHER 6,4x12,5	
17	57379953	1	WING EXTENSION	
18	57379954	1	WING EXTENSION	
19	31121006	6	SCREW TBCEI M6X16 ISO 7380	
20	F0814547000	6	SELFLOCK NUT M6	
21	31411066	12	WASHER 6,6x18	
22	55279804	1	LAMP HOLDER	
23	55279805	1	LAMP HOLDER	
24	590A0849	1	GUARD	
25	590A0848	1	GUARD	
26	56177045	8	RETAINER	
27	F0862479020	2	SCREW M8X16 7380	
28	31111151	6	SCREW TE M8X16 UNI 5739 8G	
29	31411084	6	WASHER 8,4x17	
30	F0843643060	6	WASHER 8	
31	31211080	6	NUT M8	



Pos.	Code	Q.ty	Description	Notes
1	590A0063	1	WING HOLDER	
2	590A0064	1	WING HOLDER	
3	31112272	8	SCREW TE M12X30 UNI 5739	
4	590A2002V	1	LEFT FRONT FENDER	
5	590A2003V	1	RIGHT FRONT FENDER	
6	31112150	4	SCREW TE M8X20 UNI 5739 8G	
7	F0843643060	4	WASHER 8	
8	56177045	8	RETAINER	
9	F0814547000	8	SELFLOCK NUT M6	
10	55279804	1	LAMP HOLDER	
11	55279805	1	LAMP HOLDER	
12	590A0849	1	GUARD	
13	590A0848	1	GUARD	
14	58079929	8	SCREW	
15	31411064	8	WASHER 6,4x12,5	
16	F0862479020	2	SCREW M8X16 7380	
17	31111151	6	SCREW TE M8X16 UNI 5739 8G	
18	31411084	6	WASHER 8,4x17	
19	31211080	6	NUT M8	
20	F0843643060	6	WASHER 8	



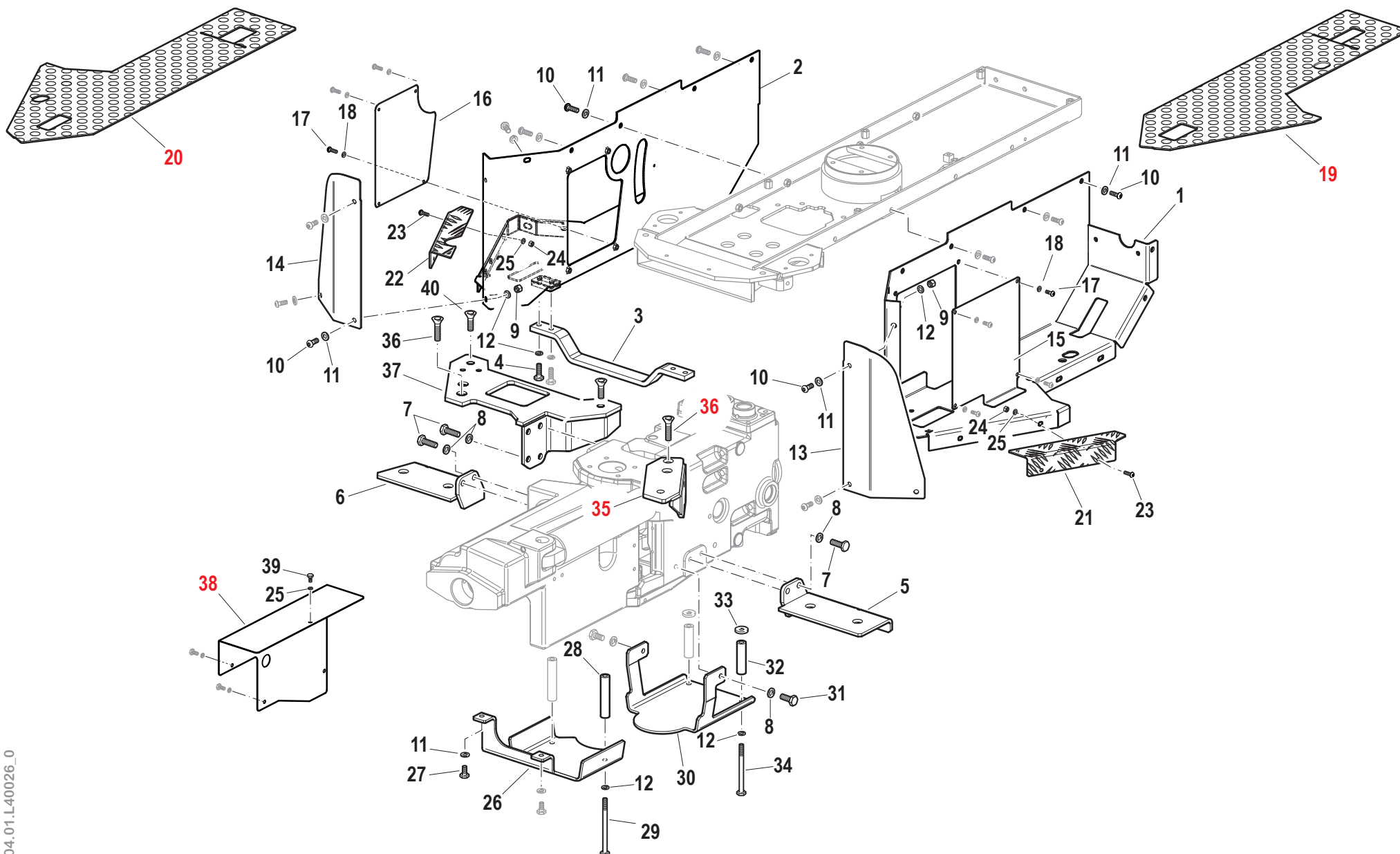
Pos.	Code	Q.ty	Description	Notes
1	590A2331V	1	PED.SX K60-65CVARR(A2331F)VERD	
2	590A2333V	1	PED.DX 56-66CVARR(A2333F)VERDE	
3	56079664	1	TRAV.ANT.COL.PED.55-65-REVVERN	
4	31112146	4	SCREW TE M8X22 UNI 5739 8G	
5	59079658	1	SUPPORT	
6	59079654	1	SUPPORT	
7	31112219	8	SCREW TE M10X25 UNI 5739	
8	F0843755000	8	WASHER 10	
9	31211080	6	NUT M8	
10	F0862479020	16	SCREW M8X16 7380	
11	31411084	16	WASHER 8,4x17	
12	F0843643060	10	WASHER 8	
13	561A0099V	1	FRONT DEFLECTOR	
14	561A0100V	1	FRONT DEFLECTOR	
15	561A2625V	1	COP.PED.SX 56-66 VERDE(A2625F)	
16	561A2624V	1	COP.PED.DX 56-66 VERDE(A2624F)	
17	F0862479034	8	SCREW M6X12 7380	
18	31411064	8	WASHER 6,4x12,5	
19	573A2063	1	COPRIPEDANA SX K60-V65-AR-R	
20	573A2064	1	COPRIPEDANA DX K60-V65-AR-R	
21	572A0591	1	ANGULAR	
22	572A0590	1	ANGULAR	
23	31121006	4	SCREW TBCEI M6X16 ISO 7380	
24	31211060	4	NUT M6	
25	F0843570000	11	WASHER 6	
26	560A0337	1	SHIELD	
27	31111151	2	SCREW TE M8X16 UNI 5739 8G	
28	560A0362	2	SPACER	
29	F0863079000	2	SCREW M8X105 UNI 5737	
30	560A0338	1	SHIELD	
31	31112208	2	SCREW TE M10X16 UNI 5739	
32	560A0363	2	SPACER	
33	F0843813000	1	WASHER D.20x10,5/4	
34	31111164	2	SCREW TE M8X90 UNI 5737 8G	

SERIAL

PEDANE

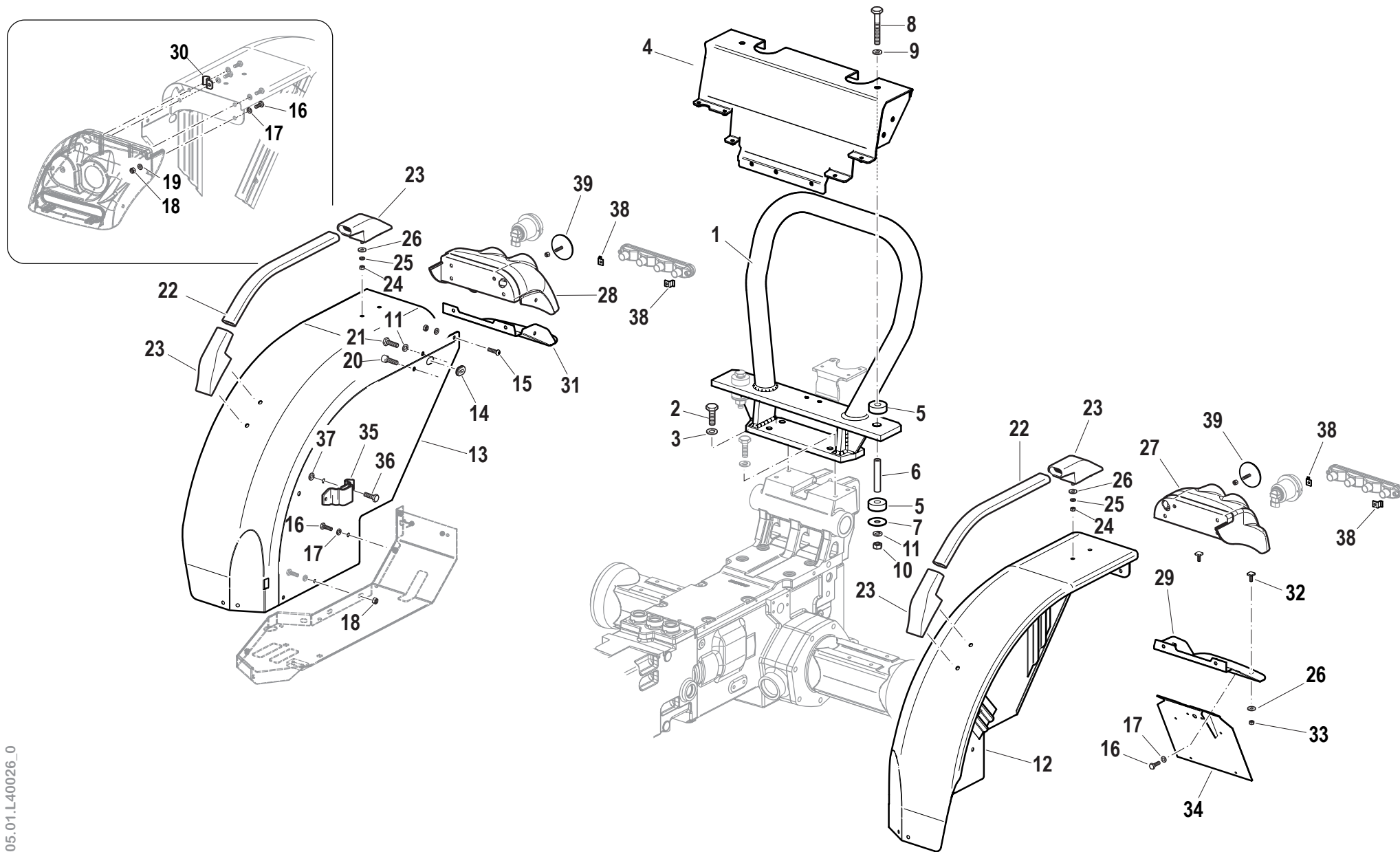
CODE REV

B.04.01.L40026_0



Pos.	Code	Q.ty	Description	Notes
35	561A2399N	1	SUP.ANT.SX S/BL K60-65AR-CAB N	
36	F0863208050	4	SCREW M10X20 UNI 5933	
37	590A2396N	1	SUP.ANT.DX S/BL 56/66 AR CAB N	
38	561A3065	1	RIPARO DX TUBI L60-K60-V65-AR-	
39	31112082	4	SCREW TE M6X12 UNI 5739 8G	
40	P00000000556	2	SCREW M10x16 UNI5933 10.9	
41	31112210	4	SCREW TE M10X20 UNI 5739	
42	F0843755000	4	WASHER 10	

PARAFANGHI POSTERIORI (COBRAM)



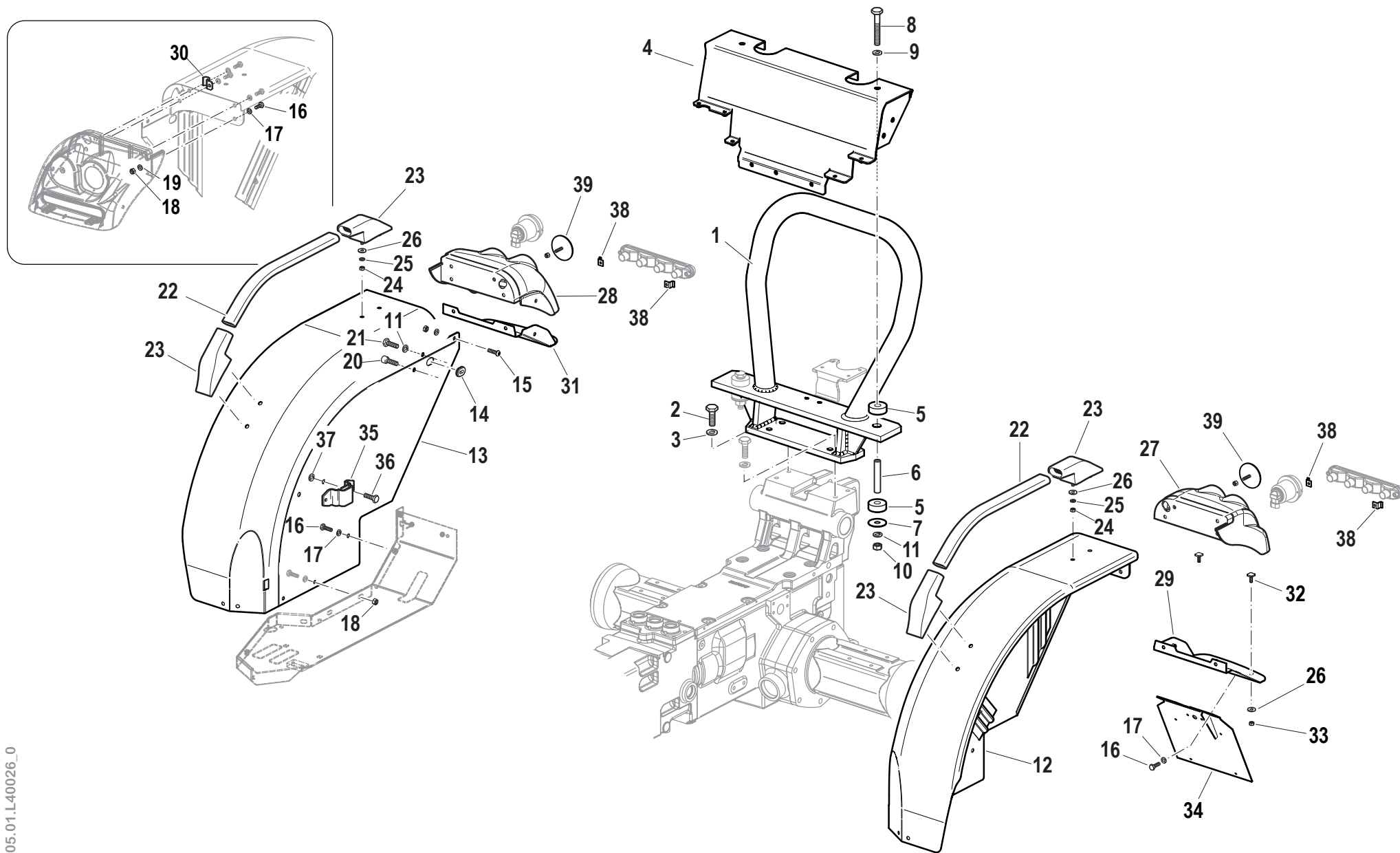
Pos.	Code	Q.ty	Description	Notes
1	590A2246	1	ARCO POST.SICUR.K60-V65-REV-	
2	31112264	4	SCREW TE M12X35 UNI 5739	
3	F0843843060	4	WASHER 12	
4	590A2337V	1	TRAV.POST.K60-65ARR(A2337F)VER	
5	581A0660	4	SILENT-BLOCK	
6	561A0659	2	SPACER	
7	561A0432	2	WASHER 45x11/3	
8	F0863566000	2	SCREW M10x70 UNI 5737	
9	31411104	2	WASHER 10,5x18	
10	31211100	2	NUT M10	
11	F0843755000	2	WASHER 10	
12	590A1997V	1	PAR.POS.SX(A1997)VERDE GM2RSAR	
13	590A1996V	1	PAR.POS.DX(A1996)VERDE GM2RSAR	
14	58171901	2	CABLE GLAND 15,5-24-32-2	
15	F0862479020	4	SCREW M8X16 7380	
16	31111151	8	SCREW TE M8X16 UNI 5739 8G	
17	F0843643060	8	WASHER 8	
18	31211080	6	NUT M8	
19	31411084	6	WASHER 8,4x17	
20	31152098	2	SCREW TCEI M10X20 UNI 5931	
21	31112210	2	SCREW TE M10X20 UNI 5739	
22	561A0025	2	MUDGUARD HANDLE	
23	55072935	2	SUPPORT	
24	31211060	8	NUT M6	
25	F0843570000	8	WASHER 6	
26	31411066	8	WASHER 6,6x18	
27	55279806	1	LAMP HOLDER	
28	55279807	1	LAMP HOLDER	
29	590A0057	1	COVER	
30	F0825414000	1	CABLE GLAND 7-15-18,5-2,5	
31	590A0058	1	COVER	
32	58079929	8	SCREW	
33	F0814547000	8	SELFLOCK NUT M6	
34	590A0059	1	LICENCE PLATE HOLD	

SERIAL

PARAFANGHI POSTERIORI (COBRAM)

CODE REV

B.05.01.L40026_0



Pos.	Code	Q.ty	Description	Notes
35	59070592	1	LEVER BEARING	
36	31111151	2	SCREW TE M8X16 UNI 5739 8G	
37	F0843643060	2	WASHER 8	
38	56177045	4	RETAINER	
39	58177330	2	REFLECTOR	

applicazioni, occorre salvarlo di nuovo da Adobe Illustrator con l'opzione Crea file compatibile con formato PDF attivata. Questa opzione si trova nella finestra di dialogo per il formato Illustrator nativo, quando si salva un file Adobe Illustrator con il comando Salva con nome.

Questo file Adobe® Illustrator® è stato salvato senza contenuto PDF. Per inserirlo o aprirlo in altre applicazioni, occorre salvarlo di nuovo da Adobe Illustrator con l'opzione Crea file compatibile con formato PDF attivata. Questa opzione si trova nella finestra di dialogo per il formato Illustrator nativo, quando si salva un file Adobe Illustrator con il comando Salva con nome.

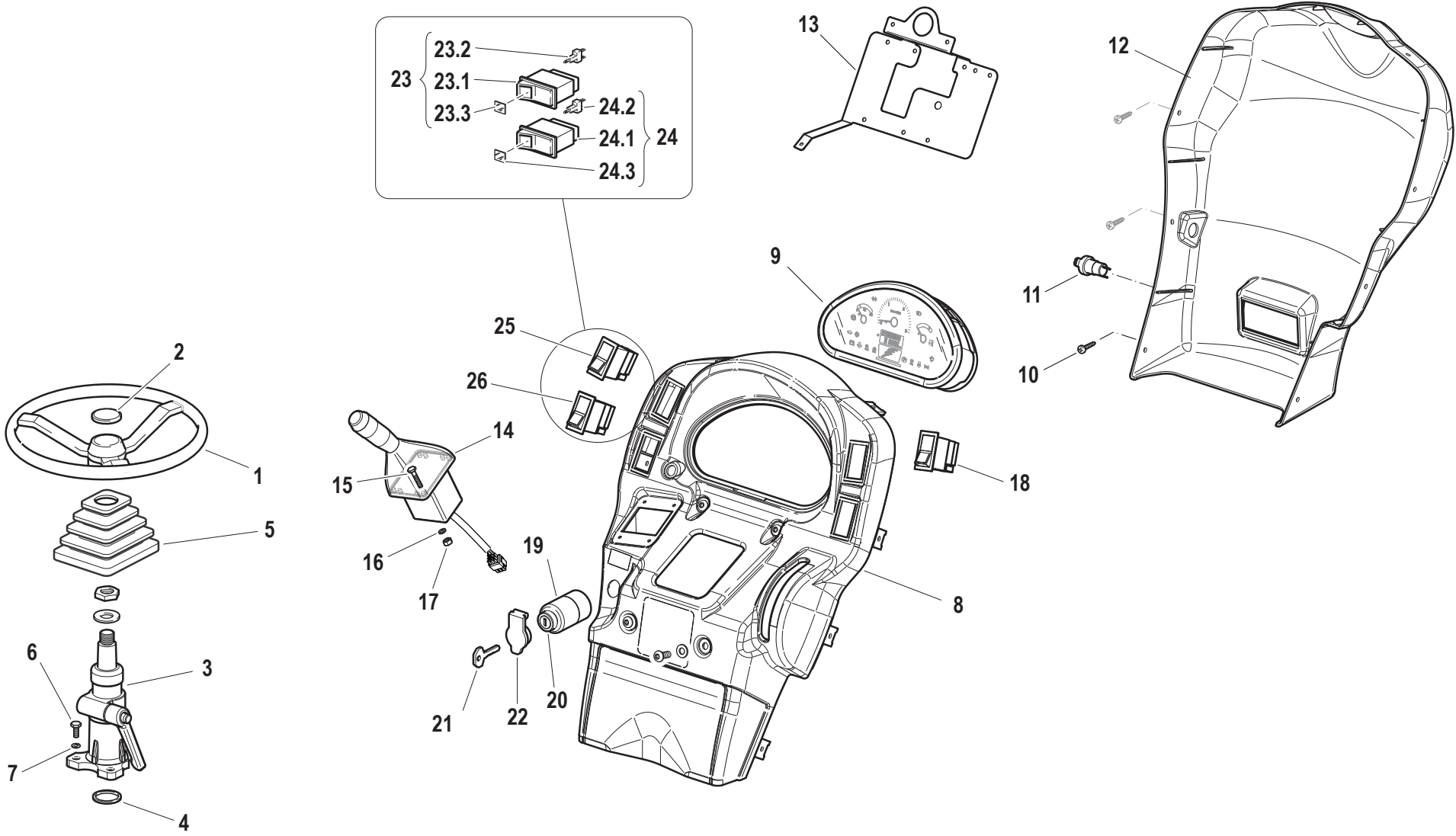
Questo file Adobe® Illustrator® è stato salvato senza contenuto PDF. Per inserirlo o aprirlo in altre applicazioni, occorre salvarlo di nuovo da Adobe Illustrator con l'opzione Crea file compatibile con formato PDF attivata. Questa opzione si trova nella finestra di dialogo per il formato Illustrator nativo, quando si salva un file Adobe Illustrator con il comando Salva con nome.

applicazioni, occorre salvarlo di nuovo da Adobe Illustrator con l'opzione Crea file compatibile con formato PDF attivata. Questa opzione si trova nella finestra di dialogo per il formato Illustrator nativo, quando si salva un file Adobe Illustrator con il comando Salva con nome.

Questo file Adobe® Illustrator® è stato salvato senza contenuto PDF. Per inserirlo o aprirlo in altre applicazioni, occorre salvarlo di nuovo da Adobe Illustrator con l'opzione Crea file compatibile con formato PDF attivata. Questa opzione si trova nella finestra di dialogo per il formato Illustrator nativo, quando si salva un file Adobe Illustrator con il comando Salva con nome.

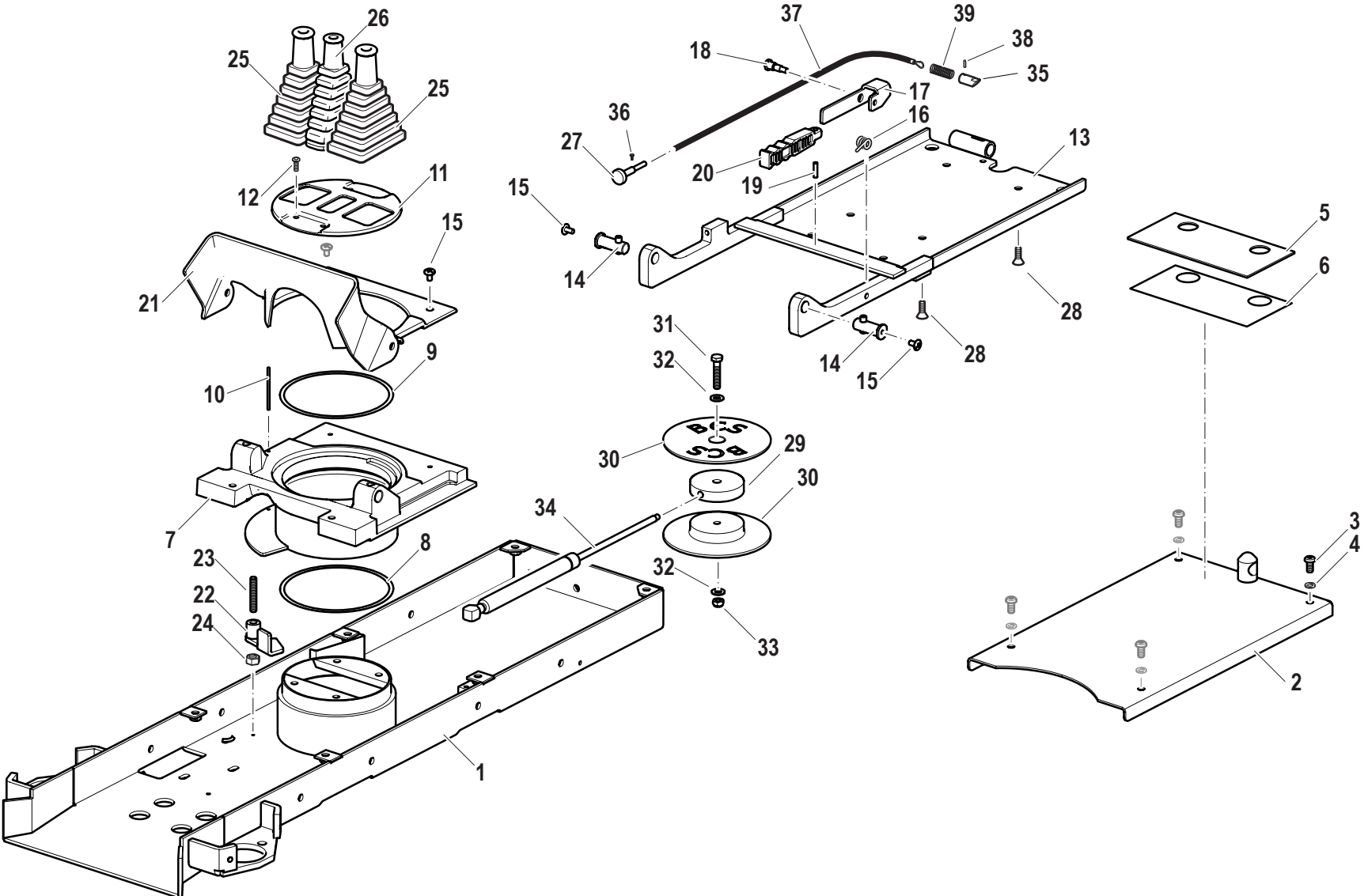
Questo file Adobe® Illustrator® è stato salvato senza contenuto PDF. Per inserirlo o aprirlo in altre applicazioni, occorre salvarlo di nuovo da Adobe Illustrator con l'opzione Crea file compatibile con formato PDF attivata. Questa opzione si trova nella finestra di dialogo per il formato Illustrator nativo, quando si salva un file Adobe Illustrator con il comando Salva con nome.

Pos.	Code	Q.ty	Description	Notes
1	580A1122	1	FREGIO DX (FERRARI) 55-65	
2	580A1123	1	FREGIO SX (FERRARI) 55-65	
3	580A0520	1	APPLIC.TAPE FERR-PASQU.55-65	
4	580A2180	2	DECAL	
5	580A1015	1	DECAL	
6	580A2868	2	ADESIVO V65 AR DX-SX FERRARI	
7	580A2171	1	DECAL	
8	580A1121	1	DECAL	
9	580A2179	1	DECAL	
10	580A1023	1	PLATE	
11	580A3133	1	ADES.VEL.MACCHINA K60-V65-L60	
12	58076077	1	DECAL	
13	580A1016	1	DECAL	
14	580A1039	1	FAN WARNING PLATE	
15	58074880	1	PLATE	
16	58077047	1	DECAL	
17	58072511	1	INSTRUCTION PLATE	
18	580A1581	1	DECAL	
19	580A1580	1	DECAL	
20	580A1583	1	DECAL	
21	58072573	1	PLATE	
22	58072575	1	PLATE	
23	58072510	1	INSTRUCTION PLATE	
24	58074841	1	DECAL	
25	580A2146	4	DECAL	
26	580A1607	1	DECAL	
27	580A1042	1	TARGH.ATT.USO-MANUTENZIONE	
28	580A1038	1	PLATE	
29	580A1609	4	DECAL	
30	580A1605	1	DECAL	
31	580A1037	1	PLATE	
32	580A1606	1	DECAL	
33	580A1608	1	DECAL	



B.08.01.L40027_0

Pos.	Code	Q.ty	Description	Notes
1	F0865040000	1	STEERING WHEEL	
2	F0865040020	1	PLUG	
3	58177087	1	SMALL COLUMN	
4	56177086	1	CENTERING	
5	P23810500000	1	BELLOWS	
6	31112219	4	SCREW TE M10X25 UNI 5739	
7	F0843755000	4	WASHER 10	
8	55279820	1	INSTRUMENT PANEL	
9	581A3052	1	STRUM.DIGITALE 05410053.02	
10	31510096	8	RIBBED SCREW 4,2X16	
11	F0825403050	1	SOCKET	
12	55279821V	1	PL.POST.CRUSC(79821)VERDE	
13	561A1007	1	SUPPORT	
14	58173345	1	STEERING COLUMN SWITCH UNIT	
15	31111084	4	SCREW TE M4X16 UNI 5739 8G	
16	F0843526000	4	WASHER 4,3x12/1,5	
17	31211040	4	NUT M4	
18	F0825115010	1	PUSH-BUTTON	
19	F0825500200	1	CHANGE-OVER SWITCH	
20	F0825500210	1	RING NUT	
21	580A2134	2	CHIAVE AVVIAM.14.0458.0000.02	
22	F0825400060	1	COVER	
23.1	58177268	1	CHANGE-OVER SWITCH	
23.2	58173120	1	GLASS	
23.3	58173119	1	LAMP	
24.1	58173116	1	CHANGE-OVER SWITCH	
24.2	58173121	1	GLASS	
24.3	58173119	1	LAMP	



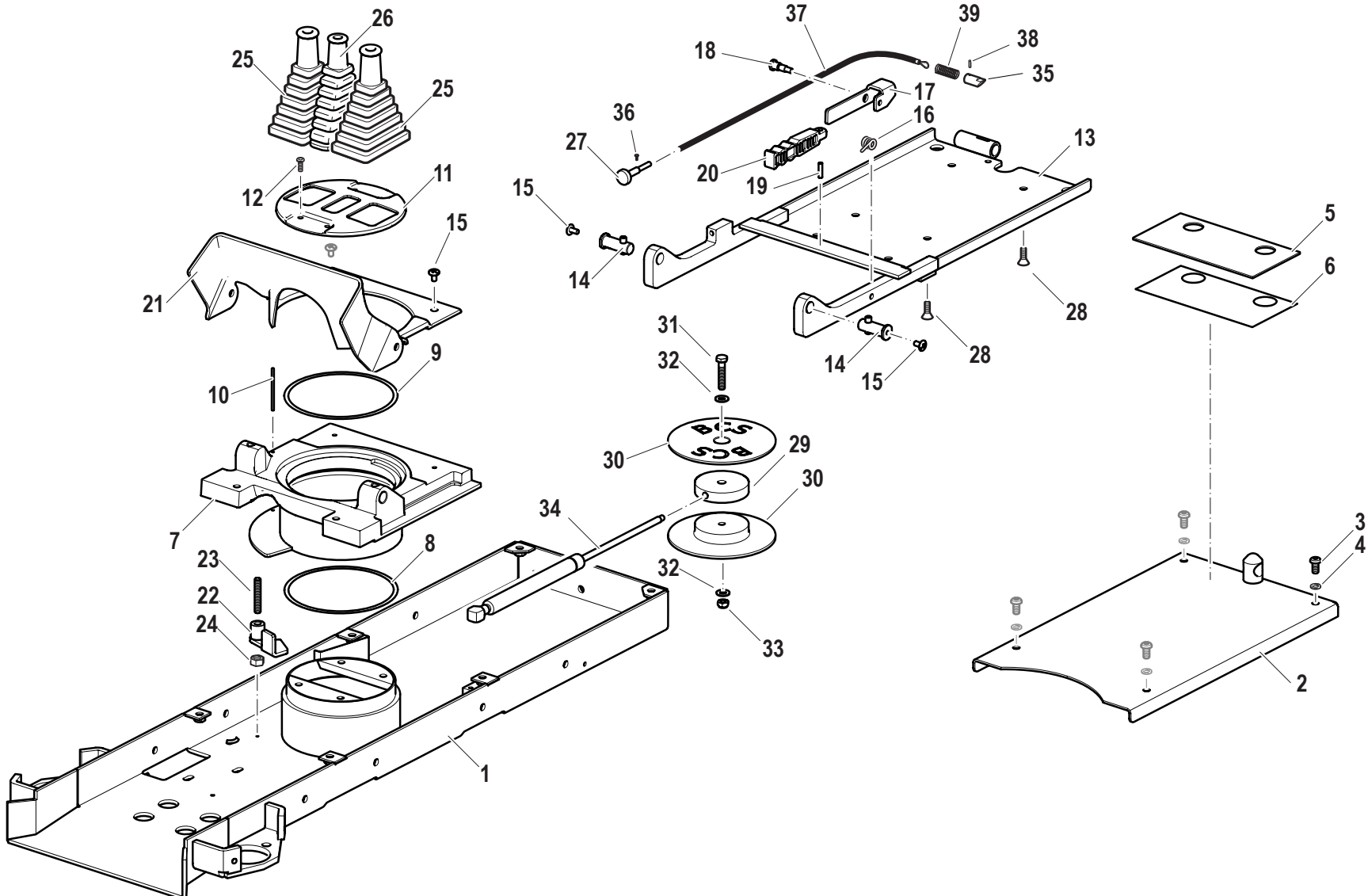
Pos.	Code	Q.ty	Description	Notes
1	590A2316	1	SC.CON.TUBI/CAVI K60-V65-REV-	
2	590A2339V	1	COP.POST.SCAT.(A2339)VERDE	
3	F0862479020	4	SCREW M8X16 7380	
4	31411084	4	WASHER 8,4x17	
5	573A2622	1	TAPP.SUPP.SEDILE K60-65-REV-	
6	580A2623	1	BIADES.SCAPA TAPP.SUPP.SED.GM	
7	590A2344	1	TORR.GIREV.COMPL.K60-V65-REV-	
8	573A0356	1	GASKET	
9	57374545	1	GASKET	
10	34221005	1	CYL. PLUG m6 D.3x60 DIN 6325	
11	593A0864	1	FLANGE	
12	F0863208050	4	SCREW M10X20 UNI 5933	
13	590A2348	1	SUPP.SEDILE K60-V65-REV-	
14	561A2353	2	PERNO INC.SUP/SED.K60-V65-REV-	
15	F0861973100	4	SCREW M6X12 COMBI	
16	58074488	1	SPRING	
17	563A2358	1	PERNO INC.SUP.SED.K60-V65-REV-	
18	561A2357	1	STAF.BL.SUPP.SED.K60-V65REVgrz	
19	34211028	1	ROLL PIN	
20	58070390	1	SEAT SPRINGS	
21	573A2364	1	COP.TORRETTA GIREVOLE K60-V65	
22	590A2648	1	STAF.COM.DIS.INV.FLUS.K6065grz	
23	31312087	1	PRIG.M8x40 UNI 5911 8.8 ZNT/B	
24	31241081	1	SELFLOCK NUT M8	
25	551A1602	2	SOFFIETTO LEVE MARCE-GAMME	
26	551A1601	1	SOFFIETTO LEVA INVERSOIRE	
27	560A0440	1	HANDLE	
28	31132566	4	SCREW TSVEI M8X20 UNI 5933	
29	573A0291	1	INTERNO PULEGGIA 55-65-REV-	
30	573A1949	2	PULEGGIA K60-65-REV-	
31	F0862785000	1	SCREW M8X40 UNI 5737	
32	31411084	2	WASHER 8,4x17	
33	31241081	1	SELFLOCK NUT M8	
34	581A2708	1	MOLLA A GAS(7000015748A0)	

SERIAL

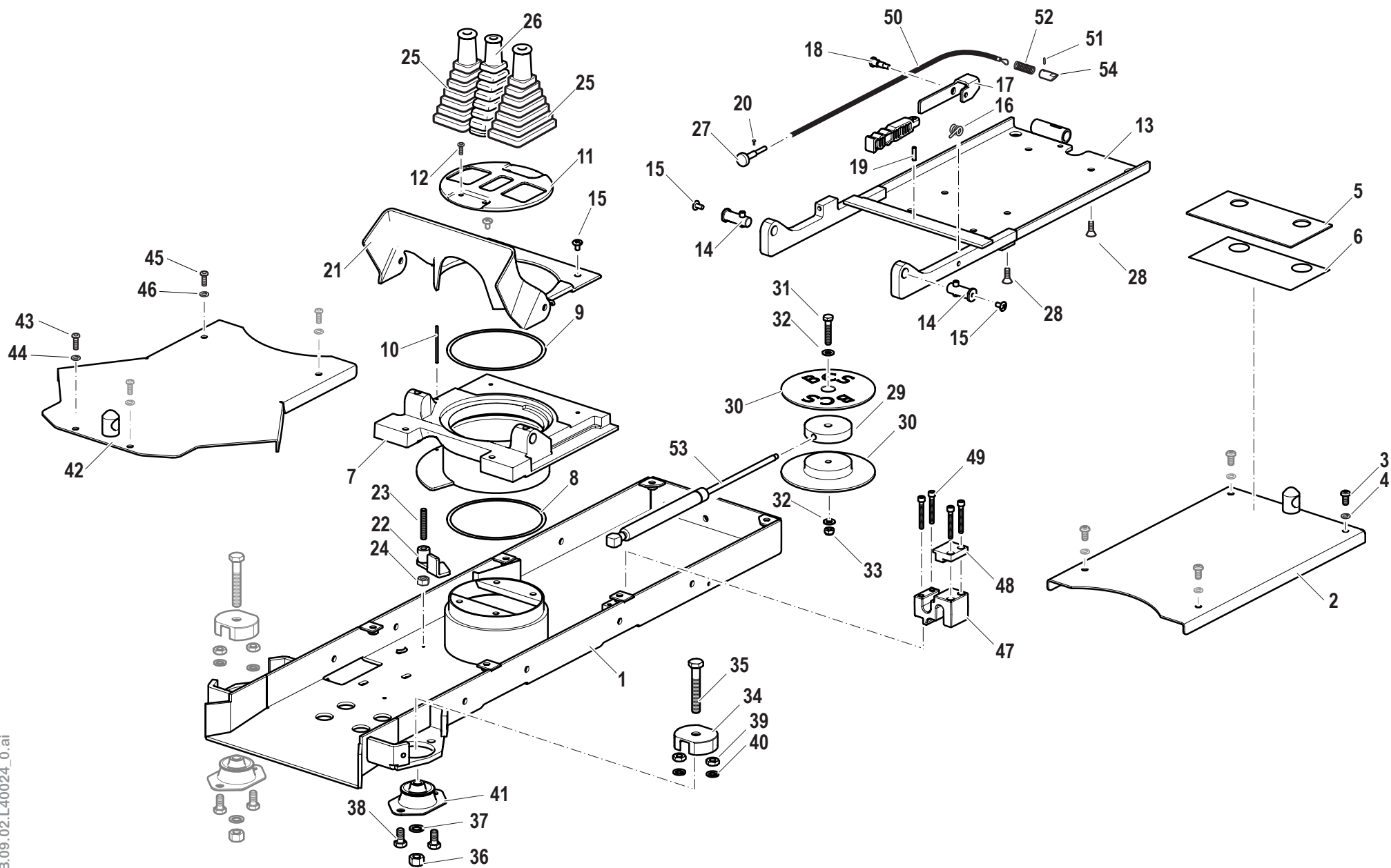
SUPPORTO SEDILE / COPERTURE LEVE CAMBIO

CODE REV

B.09.01.L40026_0



Pos.	Code	Q.ty	Description	Notes
35	563A2356	1	PERNO BL.SEDILE K60-V65-REV-	
36	31112047	1	SCREW TE M4X6 UNI 5739 8G	
37	580A2681	1	CAVO SBLOCC.SEDILE.K60-65-REV-	
38	34211028	1	ROLL PIN	
39	58070390	1	SEAT SPRINGS	



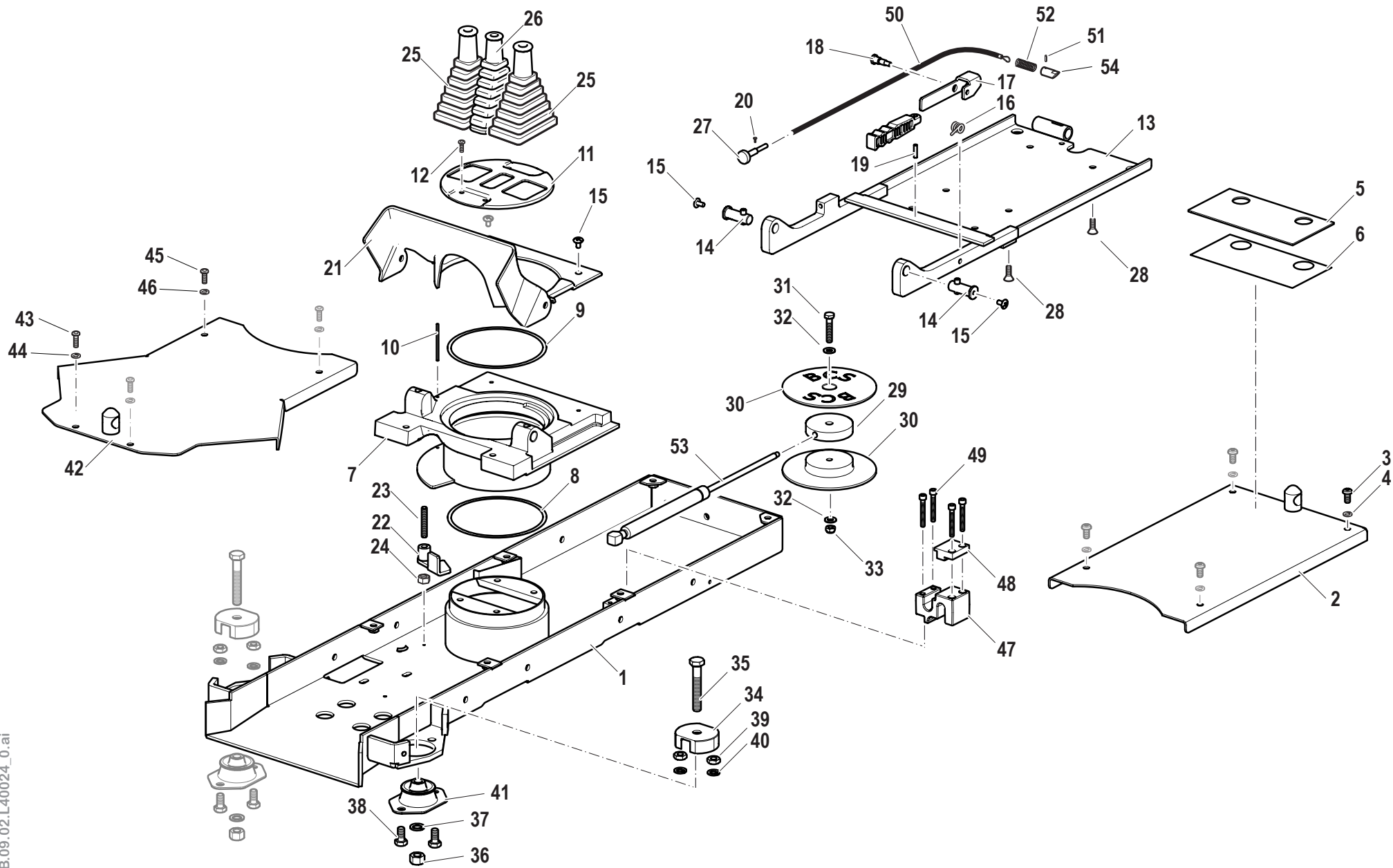
Pos.	Code	Q.ty	Description	Notes
1	590A2316	1	SC.CON.TUBI/CAVI K60-V65-REV-	
2	590A2339V	1	COP.POST.SCAT.(A2339)VERDE	
3	F0862479020	4	SCREW M8X16 7380	
4	31411084	4	WASHER 8,4x17	
5	573A2622	1	TAPP.SUPP.SEDILE K60-65-REV-	
6	580A2623	1	BIADES.SCAPA TAPP.SUPP.SED.GM	
7	590A2344	1	TORR.GIREV.COMPL.K60-V65-REV-	
8	573A0356	1	GASKET	
9	57374545	1	GASKET	
10	34221005	1	CYL. PLUG m6 D.3x60 DIN 6325	
11	593A0864	1	FLANGE	
12	F0863208050	4	SCREW M10X20 UNI 5933	
13	590A2348	1	SUPP.SEDILE K60-V65-REV-	
14	561A2353	2	PERNO INC.SUP/SED.K60-V65-REV-	
15	F0861973100	4	SCREW M6X12 COMBI	
16	58074488	1	SPRING	
17	561A2357	1	STAF.BL.SUPP.SED.K60-V65REVgrz	
18	563A2358	1	PERNO INC.SUP.SED.K60-V65-REV-	
19	34211028	1	ROLL PIN	
20	31112047	1	SCREW TE M4X6 UNI 5739 8G	
21	573A2364	1	COP.TORRETTA GIREVOLE K60-V65	
22	590A2648	1	STAF.COM.DIS.INV.FLUS.K6065grz	
23	31312087	1	PRIG.M8x40 UNI 5911 8.8 ZNT/B	
24	31241081	1	SELFLOCK NUT M8	
25	551A1602	2	SOFFIETTO LEVE MARCE-GAMME	
26	551A1601	1	SOFFIETTO LEVA INVERSOE	
27	560A0440	1	HANDLE	
28	31132566	4	SCREW TSVEI M8X20 UNI 5933	
29	573A0291	1	INTERNO PULEGGIA 55-65-REV-	
30	573A1949	2	PULEGGIA K60-65-REV-	
31	F0862785000	1	SCREW M8X40 UNI 5737	
32	31411084	2	WASHER 8,4x17	
33	31241081	1	SELFLOCK NUT M8	
34	561A2600	2	FERMO SUP.SIL/BL.ANT.K60-65CAB	

SERIAL

SEAT SUPPORT / GEAR LEVERS COVER

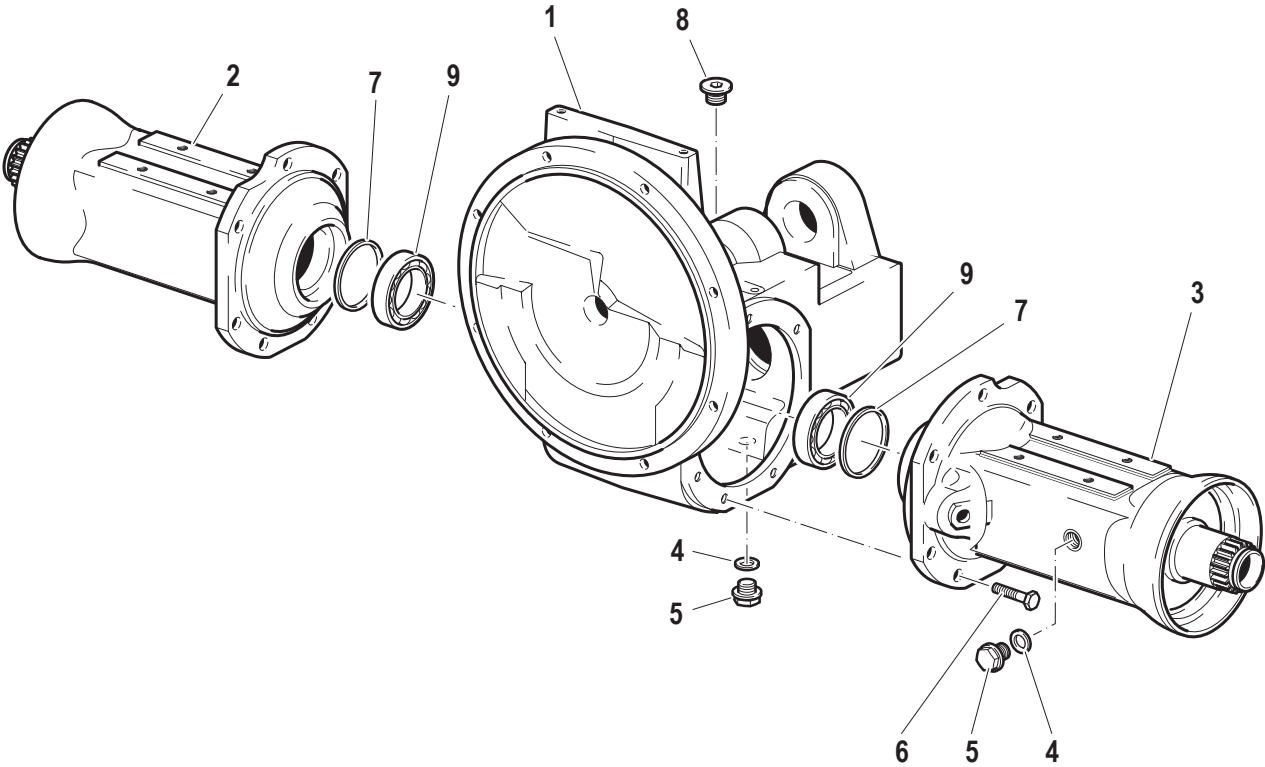
CODE REV

B.09.02.L40024_0



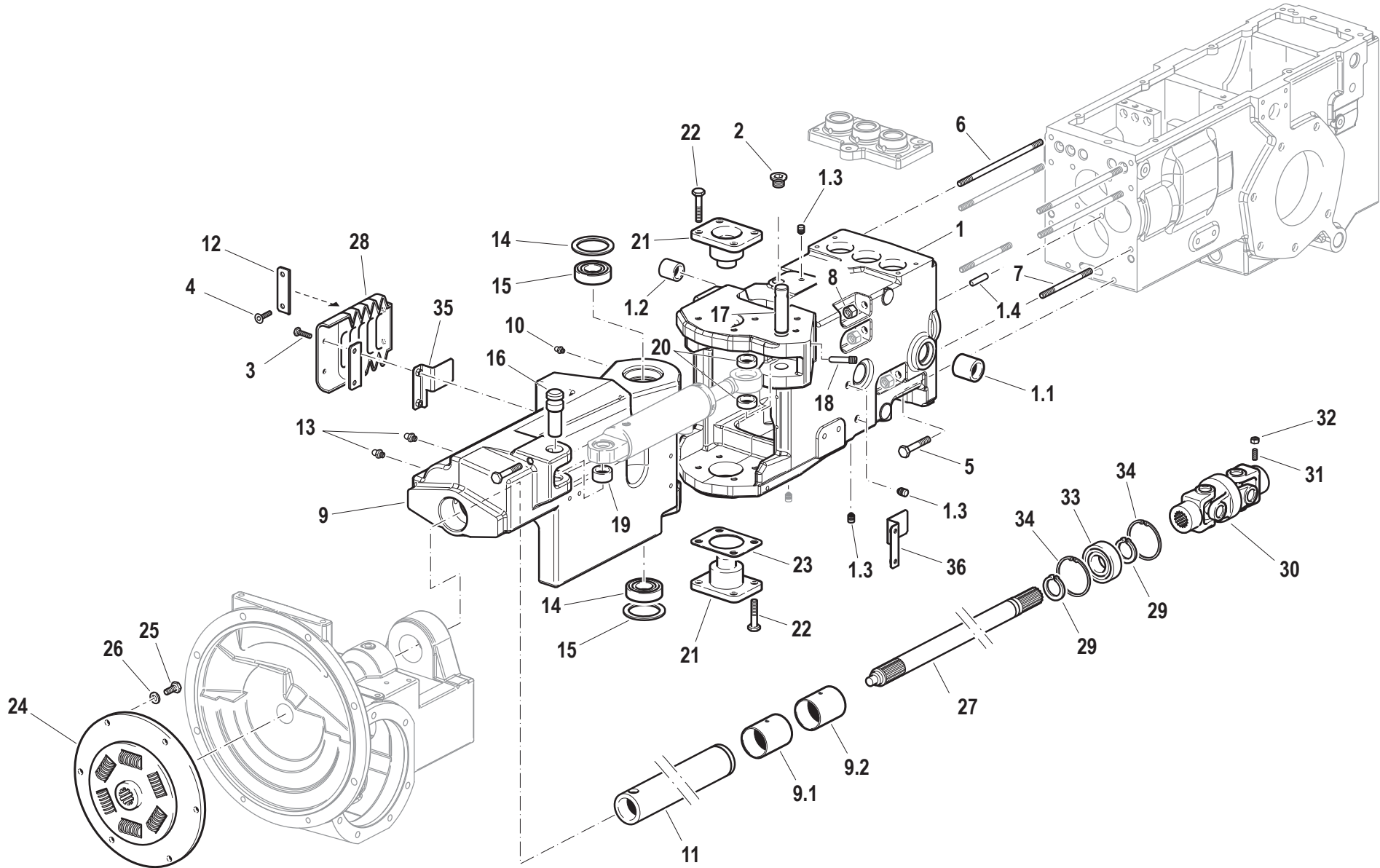
Pos.	Code	Q.ty	Description	Notes
35	31112700	2	SCREW TE M12X75 UNI 5737	
36	31221120	2	NUT M12	
37	F0843843060	2	WASHER 12	
38	31112219	4	SCREW TE M10X25 UNI 5739	
39	31211100	4	NUT M10	
40	F0843755000	4	WASHER 10	
41	58176233	2	SILENT-BLOCK	
42	590A2387V	1	COP.ANT.SCA.RS-AR(A2387)VERDE	
43	31121007	2	SCREW BCEI M8X20 ISO7380	
44	F0843643060	2	WASHER 8	
45	F0862479020	2	SCREW M8X16 7380	
46	31411084	4	WASHER 8,4x17	
47	530A2963	1	PROFILED SMALL BLOCK HOSE	
48	56174773	1	COVER	
49	31152066	4	SCREW TCEI M6X45 UNI 5931	
50	580A2681	1	CAVO SBLOCC.SEDILE.K60-65-REV-	
51	34211028	1	ROLL PIN	
52	58070390	1	SEAT SPRINGS	
53	581A2708	1	MOLLA A GAS(7000015748A0)	
54	563A2356	1	PERNO BL.SEDILE K60-V65-REV-	

FRONT AXLE



Pos.	Code	Q.ty	Description	Notes
1	511A2265	1	FRONT BRIDGE BOX L60-K60-V65-	
2	512A0909	1	FRONT AXLE HOUSING	
3	512A0910	1	FRONT AXLE HOUSING	
4	F0844273090	1	GASKET 22X28X1,5 CU 99,5	
5	56370081	1	PLUG	
6	31112264	14	SCREW TE M12X35 UNI 5739	
7	56371582	0.8	RING	
7	56371583	0.8	RING	
7	56371584	0.8	RING	
7	56371585	0.8	RING	
7	56371586	0.8	RING	
8	58071790	1	PLUG	
9	F0812895000	2	BEARING 32008 (40X68X19)	

CENTRAL SECTION



Pos.	Code	Q.ty	Description	Notes
1	511A2955	1	CLUTCH HOUSING K60-V65-AR-	
2	F0852538010	1	PLUG	
3	31112093	4	SCREW TE M6X20 UNI 5739 8G	
4	31132562	4	SCREW TSVEI M6X16 UNI 5933	
5	F0863359000	2	SCREW M10X40 UNI 5737	
6	F0838535050	4	STUD BOLT M10X170 UNI5911	
7	F0838475000	2	STUD BOLT M10X90 UNI 5911 8.8	
8	F0814647000	6	NUT M10	
9	51179812	1	BOX	
10	30000007	2	LUBRICATOR	
11	564A2716	1	PERNO BRANDEGGIO 55-65	
12	56172163	2	FIXING BRACKET	
13	F0826056000	2	LUBRICATOR M10 UNI 7663A	
14	F0812747000	2	BEARING 32006X (30x55x17)	
15	58170077	2	GASKET	
16	56373542	1	HINGE PIN	
17	56379584	1	HINGE PIN	
18	56370178	2	SCREW	
19	56170226	1	SPACER	
20	56173884	2	SPACER	
21	523A0166	2	JOINT PIN	
22	F0863267050	8	SCREW M10x25	
23	52172158	0.3	SHIM	
23	52172159	0.3	SHIM	
23	52172160	0.3	SHIM	
23	52172161	0.3	SHIM	
23	52172162	0.3	SHIM	
24	581A2277	1	COUPLING	
25	31112150	6	SCREW TE M8X20 UNI 5739 8G	
26	31421083	6	WASHER	
27	56572156	1	FRONT CLUTCH SHAFT	
28	55172608	2	BELLOWS	
29	35121025	2	SEEGER RING E 25 DIN 471	
30	58172155	1	CARDAN JOINT	

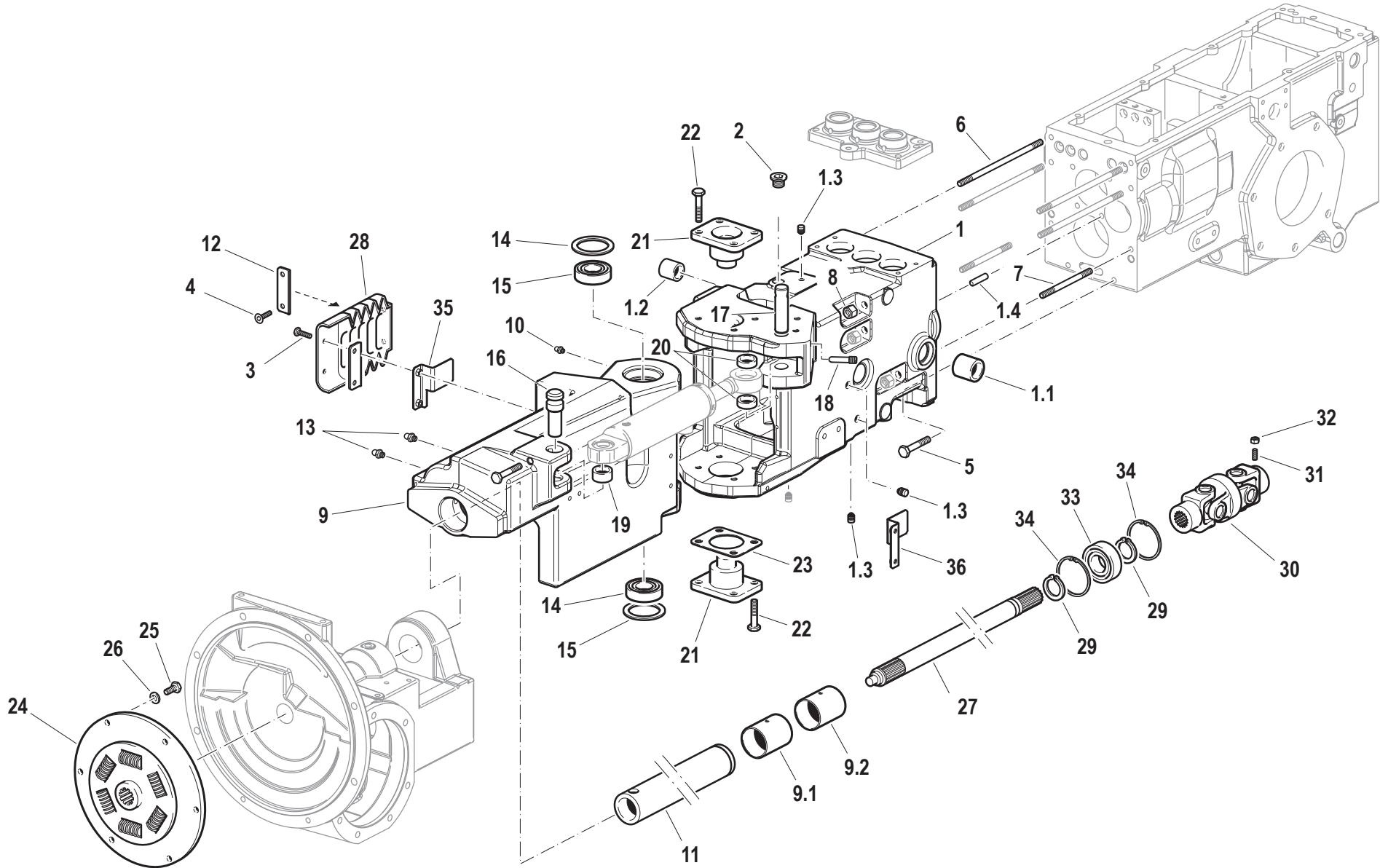
SERIAL

CENTRAL SECTION

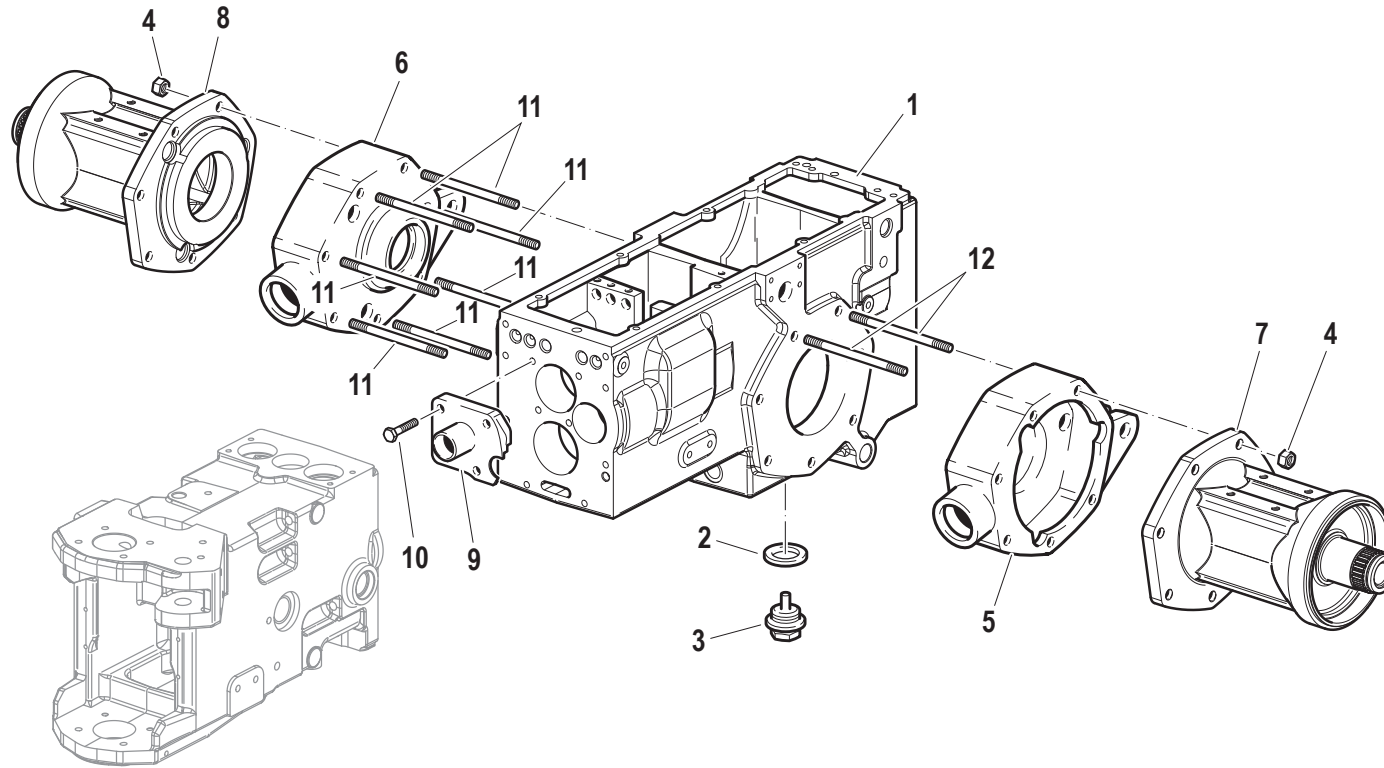
CODE REV

C.02.01.L40026_0

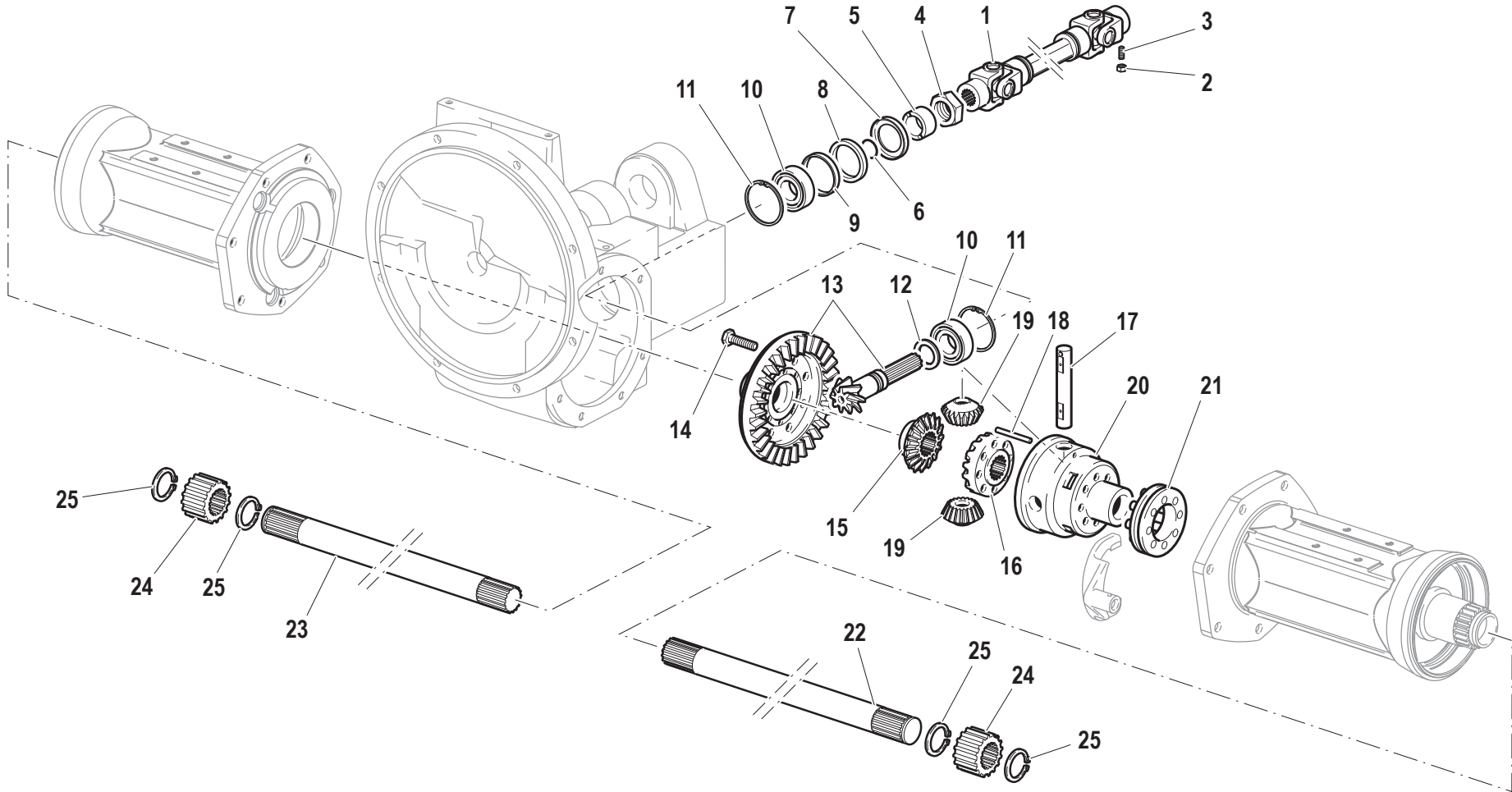
CENTRAL SECTION



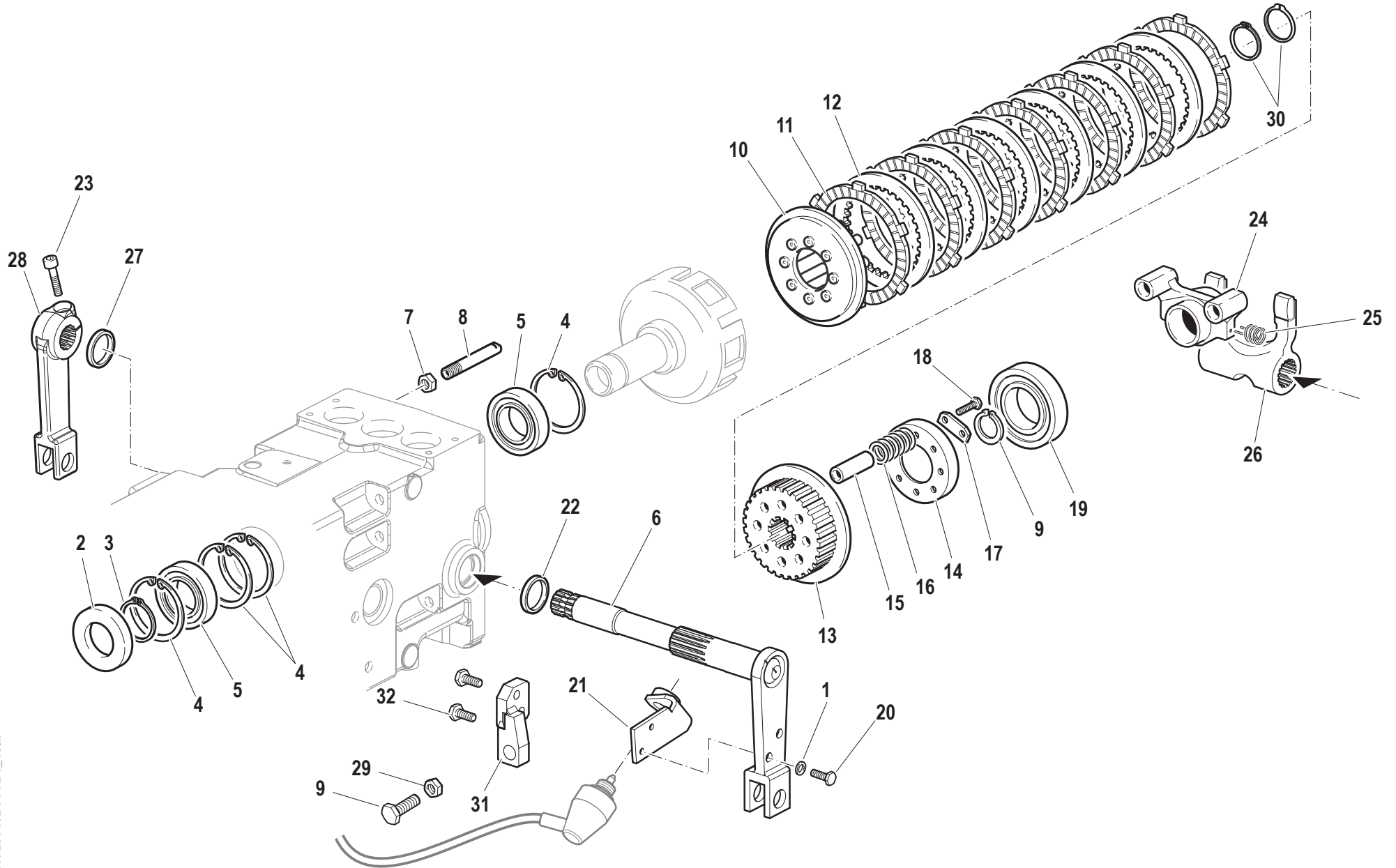
Pos.	Code	Q.ty	Description	Notes
31	F0862593050	1	SCREW M8X20 UNI 5927	
32	31211080	1	NUT M8	
33	37112249	1	BEARING	
34	35111052	2	SEEGER RING I 52 DIN 472	
35	59075711	1	PLATE	
36	59075712	1	FIXING PLATE	
1.1	58071793	1	BUSHING	
1.2	P00000000798	1	BUSHING	
1.3	58179811	5	PLUG	
1.4	56370228	2	CYLINDRICAL PLUG	
9.1	56276360	1	BUSHING	
9.2	56276359	1	BUSHING	



Pos.	Code	Q.ty	Description	Notes
1	511A0935	1	GEAR BOX 55-65CV	
2	31480191	1	COPPER WASHER 30x36/1,5	
3	581A0108	1	PLUG	
4	F0814695000	14	NUT M12	
5	51171603	1	BRAKE HOUSING	
6	51171604	1	BRAKE HOUSING	
7	512A0109	1	REAR AXLE HOUSING	
8	512A0110	1	REAR AXLE HOUSING	
9	59079172	1	FRONT COVER	
10	31112219	4	SCREW TE M10X25 UNI 5739	
11	F0838660000	8	STUD BOLT M12X105 UNI 5911-66	
12	F0838660100	6	STUD BOLT M12x115 UNI 5911-66	



Pos.	Code	Q.ty	Description	Notes
1	581A2292	1	DOPPIO GIUNTO CARD.L60-K60-V65	
2	31211080	1	NUT M8	
3	F0862657000	1	GRAIN	
4	56371666	1	RING NUT	
5	56471665	1	SPACER	
6	38112670	1	O-RING	
7	56171671	1	PROTECTIVE RING D=62	
8	F0802190010	1	SEAL 42x62/7	
9	56171672	1	SPACER	
10	37221300	2	CYL. ROLLER BEARING	
11	35111063	2	SEEGER RING I 62 UNI 7438	
13	593A2290	1	C/C Z=10/39(ANT)L60-K60-V65	
14	F0863267050	8	SCREW M10x25	
15	52471513	1	CROWN WHEEL	
16	52471516	1	CROWN WHEEL	
17	56471508	1	PIN	
18	56371994	1	PIN	
19	52471509	2	PLANETARY GEAR	
20	51374866	1	HOUSING	
21	59071518	1	SLEEVE	
22	56572623	1	AXLE SHAFT	
23	56572624	1	AXLE SHAFT	
24	52473922	2	CROWN WHEEL	
25	F0801175050	2	SEEGER RING E 24X1,75 UNI 7436	
12,1	56371670	0.25	SHIM	
12,2	56371667	0.25	SHIM	
12,3	56371668	0.25	SHIM	
12,4	56371669	0.25	SHIM	



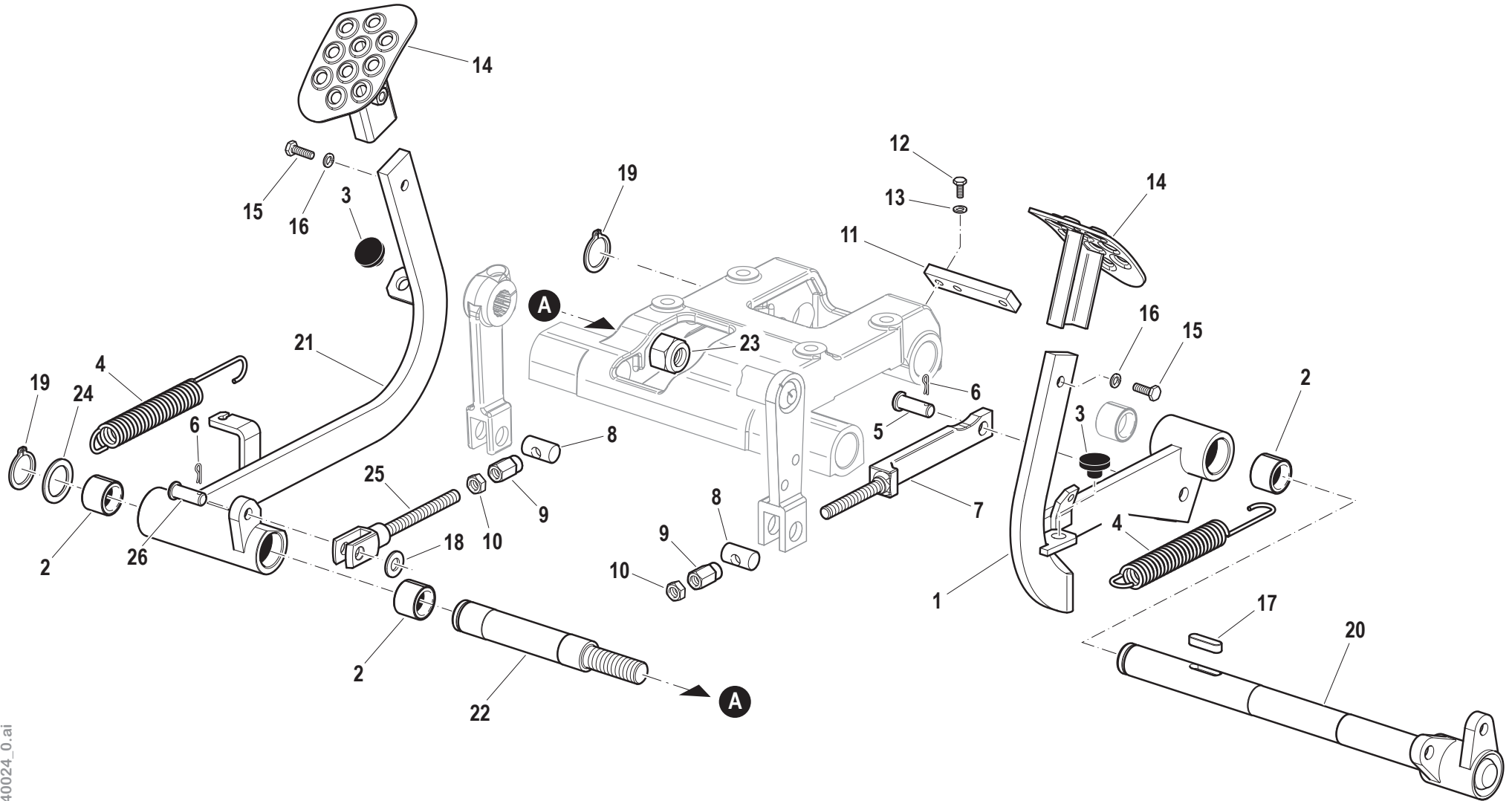
Pos.	Code	Q.ty	Description	Notes
1	F0843643060	2	WASHER 8	
2	F0802187050	1	OIL SEAL 40x68/10	
3	35121040	1	SEEGER RING E 40 DIN 471	
4	F0801408000	4	SEEGER RING I 68 UNI 7437	
5	37111400	2	BEARING	
6	59079538	1	SHAFT	
7	F0814689050	1	NUT M12X1,75 CH.17/H7	
8	561A2740	1	TUBO LAV.FRIZIONE CAMBIO 55-65	
9	563A1689	1	VITE M10x43 CH.22 ZNT/B	
10	592A1187	1	DISCO REAZ.FRIZ.CAMBIO 55-65CV	
11	58171558	7	CLUTCH DISC	
12	58171559	6	DISC	
13	524A1233	1	MOZZO DISCHI FRIZIONE	
14	56371551	1	FLANGE	
15	561A1188	4	DIST.D.12x10,1/31,1	
16	580A1189	8	MOLLA FRIZIONE 55-65	
17	52071702	4	CLAMPING PLATE	
18	31111091	8	SCREW E M6X14 UNI 5739 8G	
19	37111460	1	BEARING	
20	31112146	2	SCREW TE M8X22 UNI 5739 8G	
21	590A1683	1	STAFFA INT.CON.S.AVVIAM.55-65	
22	38212503	1	OIL SEAL 25x35/7	
23	31152083	1	SCREW TCEI M8X30 UNI 5931	
24	522A1185	1	FRICTION RELEASE SLEEVE 55-65	
25	F0819180080	2	SPRING	
26	52371733	1	CLUTCH FORK	
27	F0802088050	1	SEAL 22x32x6	
28	56579865	1	CLUTCH LEVER	
29	31211100	1	NUT M10	
30	F0801241010	2	SEEGER RING E 30 UNI 7436	
31	590A1686	1	STAFFA REG.CON.S.AVVIAM.55-65	
32	31112150	2	SCREW TE M8X20 UNI 5739 8G	

SERIAL

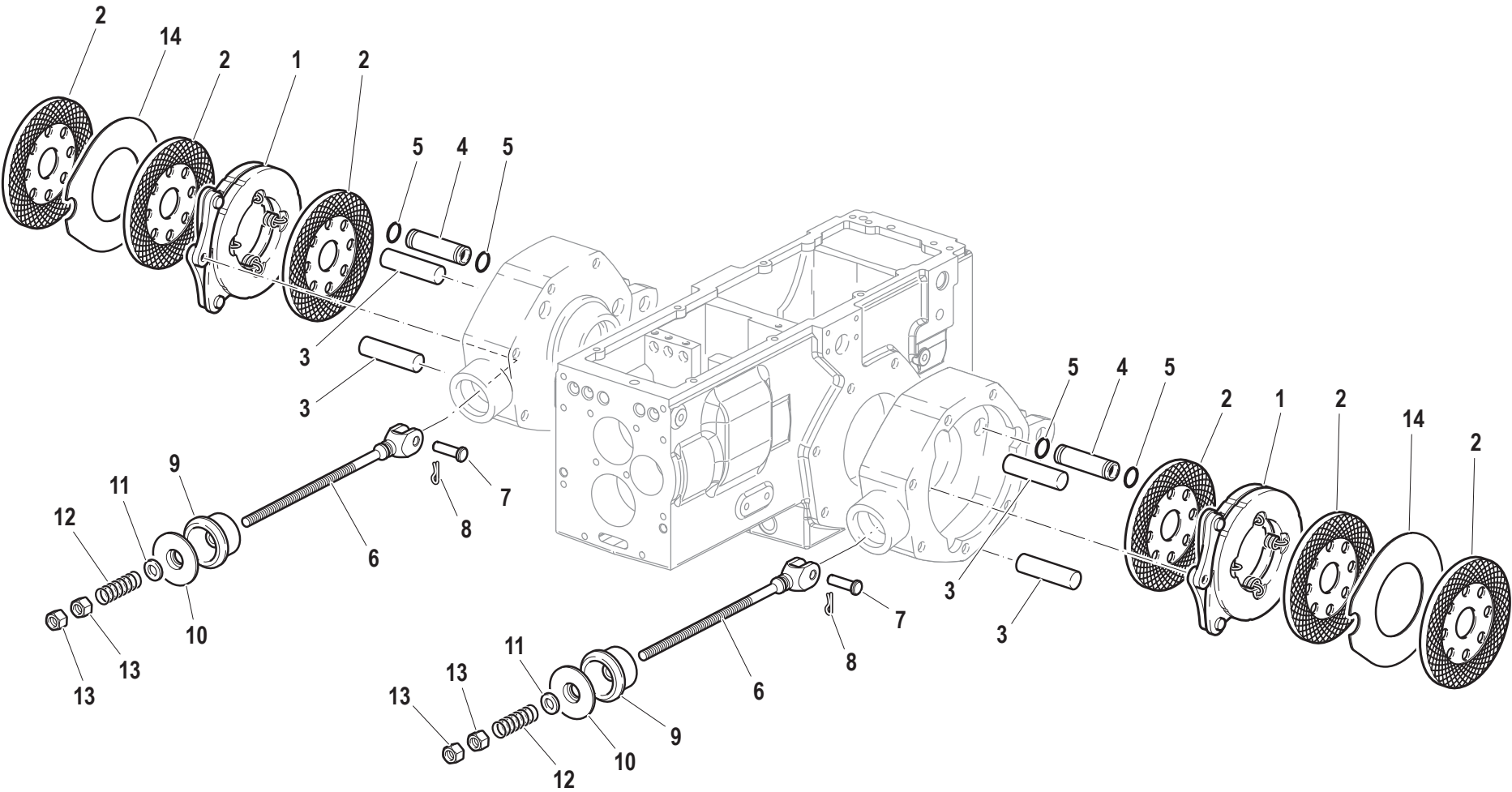
CLUTCH

CODE REV

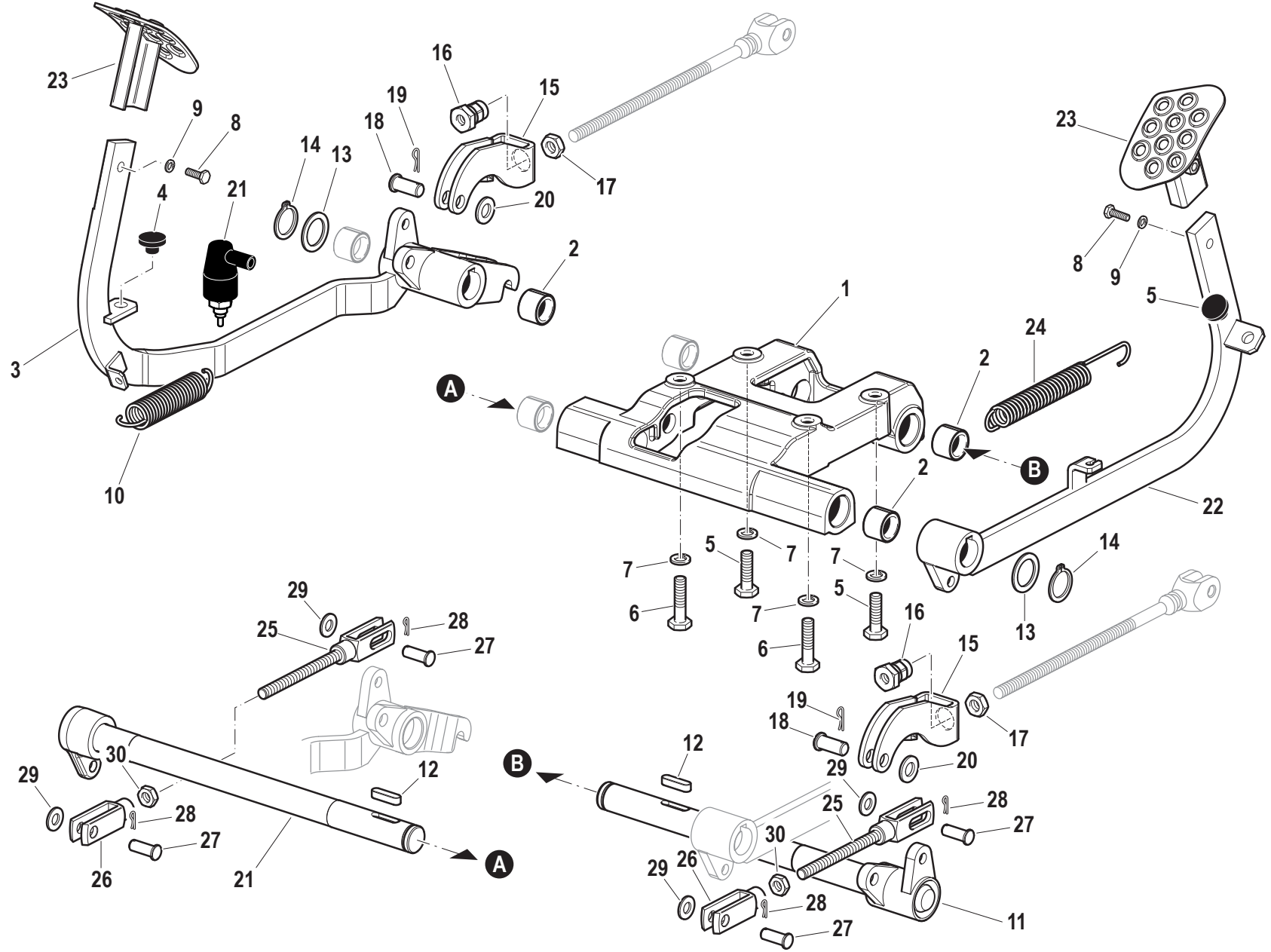
D.02.01.L40024_0



Pos.	Code	Q.ty	Description	Notes
1	59079597	1	PEDAL	
2	58171596	4	BUSHING	
3	F0822537050	2	BUFFER	
4	580A0360	2	RESTORING SPRING	
5	56471813	1	PIN	
6	F0810510000	2	SPLIT PIN A2,0X20 UNI 1336	
7	59071640	1	ROD	
8	56371714	2	PIN	
9	56371715	2	REGISTER	
10	F0814627000	2	NUT M10	
11	56079676	1	PLATE	
12	31112093	2	SCREW TE M6X20 UNI 5739 8G	
13	F0843570000	2	WASHER 6	
14	59079643	2	BRAKE PEDAL	
15	31112146	2	SCREW TE M8X22 UNI 5739 8G	
16	F0843643060	2	WASHER 8	
17	F0806533000	1	KEY 8X7X30 UNI 6604/A	
18	31411105	1	WASHER 10,5x21	
19	35131026	1	SEEGER RING E 25X2 UNI 7436	
20	59079675	1	SHAFT	
21	59079638	1	CLUTCH PEDAL	
22	56379660	1	PEDAL PIN	
23	31241181	1	SELFLOCK NUT M18x1,5 6S	
24	56349629	1	RING	
25	59079665	1	TIRANTE PEDALE FRIZ.55-65-REV-	
26	56470365	1	PIN	

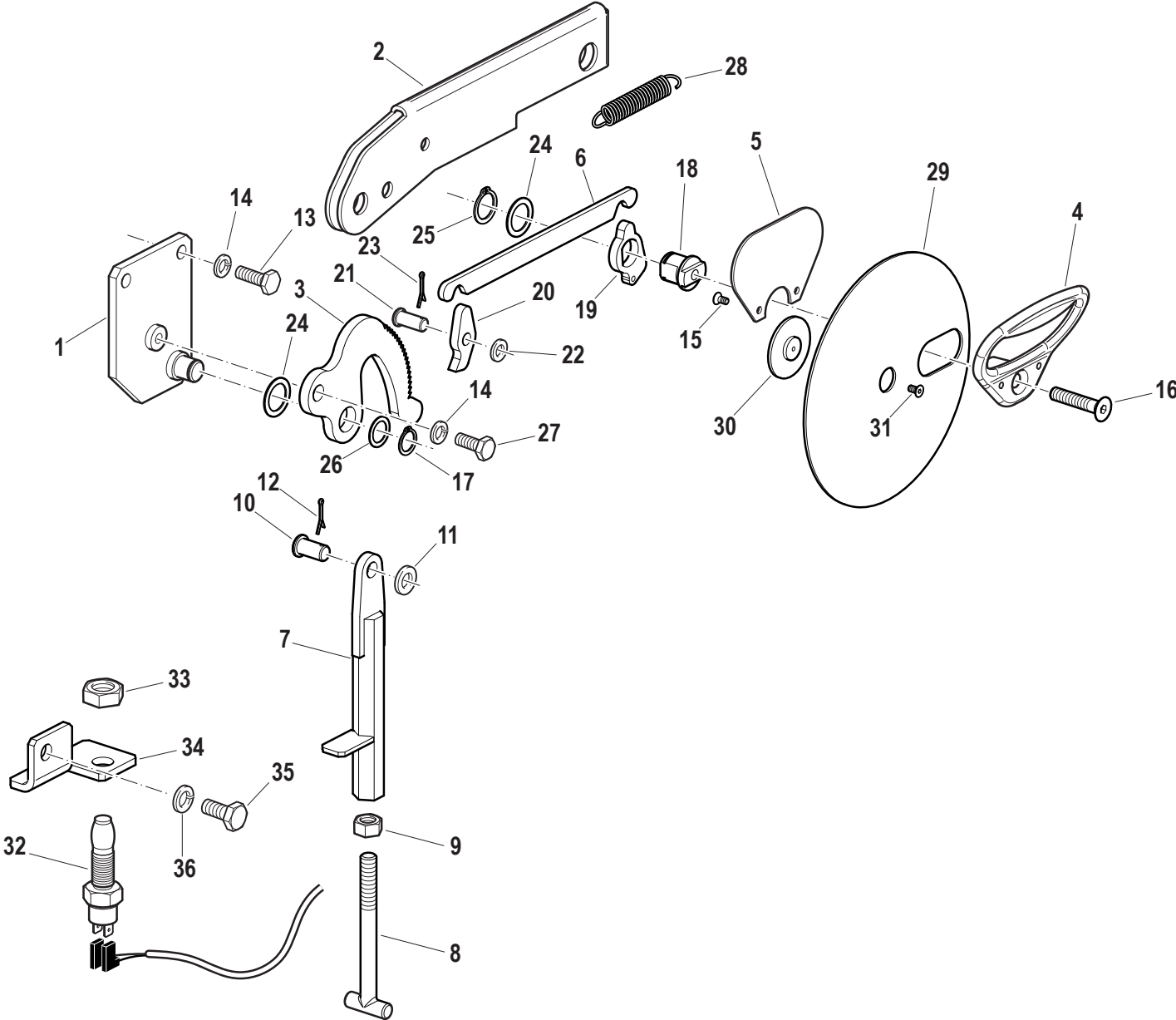


Pos.	Code	Q.ty	Description	Notes
1	58171706	2	BRAKE	
2	58171707	6	BRAKE DISC	
3	56371606	4	PIN	
4	56371605	2	PIN	
5	F0803186000	4	O-RING 123	
6	56371708	2	ROD	
7	56471709	2	PIN	
8	F0810510000	2	SPLIT PIN A2,0X20 UNI 1336	
9	55170047	2	BOOT	
10	56170043	2	COVER	
11	31411130	2	WASHER 13x24	
12	58070366	2	RETAINING SPRING	
13	31231120	4	NUT M12	
14	P45352401000	2	SHIM	



Pos.	Code	Q.ty	Description	Notes
1	511A0116	1	SUPPORT	
2	58171596	2	BUSHING	
3	59079612	1	PEDAL	
4	F0822537050	2	BUFFER	
5	F0863449000	2	SCREW M10X50 UNI 5737	
6	31112215	2	SCREW TE M10X60 UNI 5737	
7	F0843755000	4	WASHER 10	
8	31112146	2	SCREW TE M8X22 UNI 5739 8G	
9	F0843643060	2	WASHER 8	
10	58070373	1	RESTORING SPRING	
11	59079675	1	SHAFT	
12	F0806533000	1	KEY 8X7X30 UNI 6604/A	
13	56349629	1	RING	
14	35131026	1	SEEGER RING E 25X2 UNI 7436	
15	56171787	2	BRACKET	
16	52373177	2	NUT	
17	31231120	2	NUT M12	
18	56470797	2	PIN	
19	F0810510000	2	SPLIT PIN A2,0X20 UNI 1336	
20	31411130	2	WASHER 13x24	
21	59074317	1	DEFLECTION SHAFT	
22	59079632	1	CLUTCH PEDAL	
23	59079643	2	BRAKE PEDAL	
24	580A0360	1	RESTORING SPRING	
25	59073066	2	ROD	
26	F0860091010	2	FORK	
27	56470365	4	PIN	
28	F0810510000	4	SPLIT PIN A2,0X20 UNI 1336	
29	31411105	4	WASHER 10,5x21	
30	31211100	2	NUT M10	
31	F0825488000	1	SWITCH	

PARKING BRAKE



Pos.	Code	Q.ty	Description	Notes
1	59079759	1	LEVER BEARING	
2	59079760	1	HANDBRAKE LEVER	
3	58179860	1	TOOTHED SECTOR	
4	56179770	1	HANDLE	
5	57379771	1	GUARD	
6	56179766	1	PULL ROD	
7	590A2787	1	COLONN.TIR.FR.MANO K60-65-REV-	
8	56379765	1	HANDBRAKE TIE-ROD	
9	31231090	1	NUT M10	
10	56479769	1	HINGE PIN	
11	31411105	1	WASHER 10,5x21	
12	F0810510000	1	SPLIT PIN A2,0X20 UNI 1336	
13	31112150	2	SCREW TE M8X20 UNI 5739 8G	
14	F0843643060	2	WASHER 8	
15	31132440	2	SCREW TSVEI M4X10 UNI 5933	
16	31133590	1	SCREW TSVEI M8X35 UNI 5933	
17	F0801095000	1	SEEGER RING E 14 7435	
18	563A2077	1	PERNO INC.MANIGLIA K60-65-REV-	
19	56179763	1	BLANKING PLATE	
20	58179859	1	CLEVIS	
21	56479768	1	PIN	
22	31411064	1	WASHER 6,4x12,5	
23	34110021	1	SPLIT PIN	
24	31400300	1	SHIM PS 19x26/1 DIN 988	
25	35121018	1	SEEGER RING E 18 DIN 471	
26	31400302	1	SHIM PS 15x22/1 DIN 988	
27	31112147	1	SCREW TE M8X18 UNI 5739 8G	
28	58073227	1	SPRING	
29	573A0371	1	DISC	
30	560A0372	1	SHIM	
31	31132440	1	SCREW TSVEI M4X10 UNI 5933	
32	58173230	1	PUSH-BUTTON	
33	31231141	2	NUT	
34	56179767	1	FIXING BRACKET	

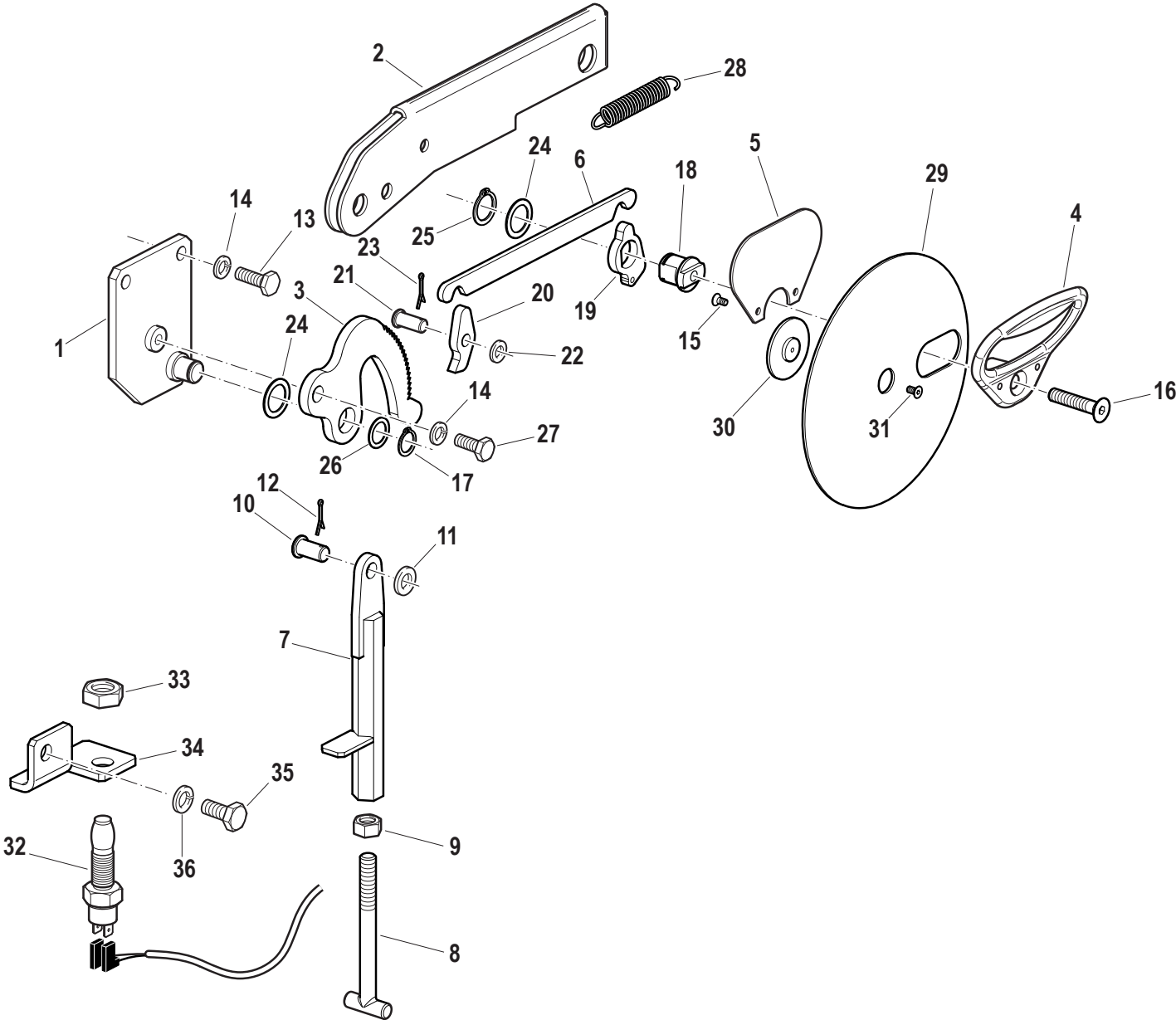
SERIAL

PARKING BRAKE

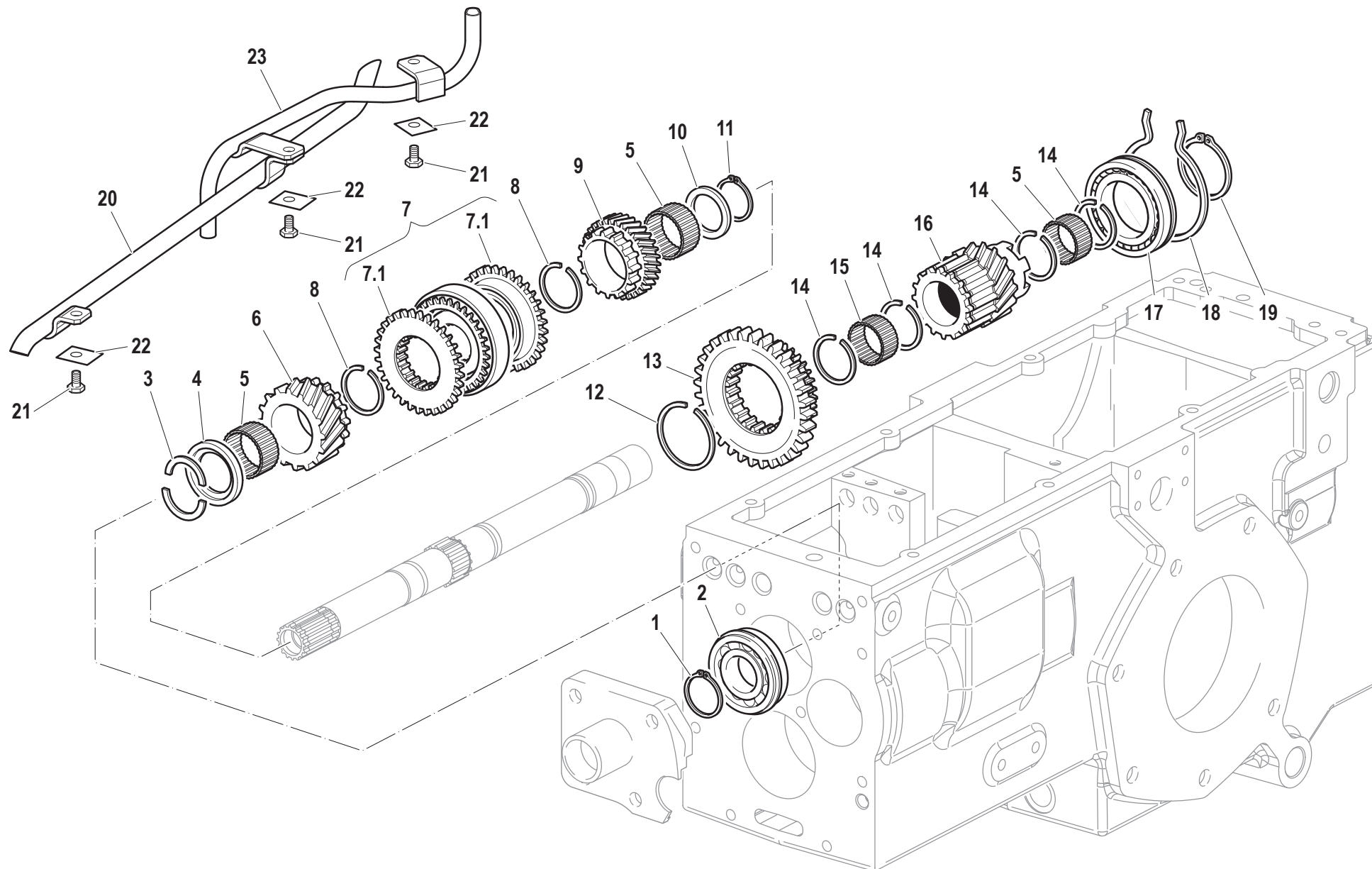
CODE REV

D.06.01.L40026_0

PARKING BRAKE

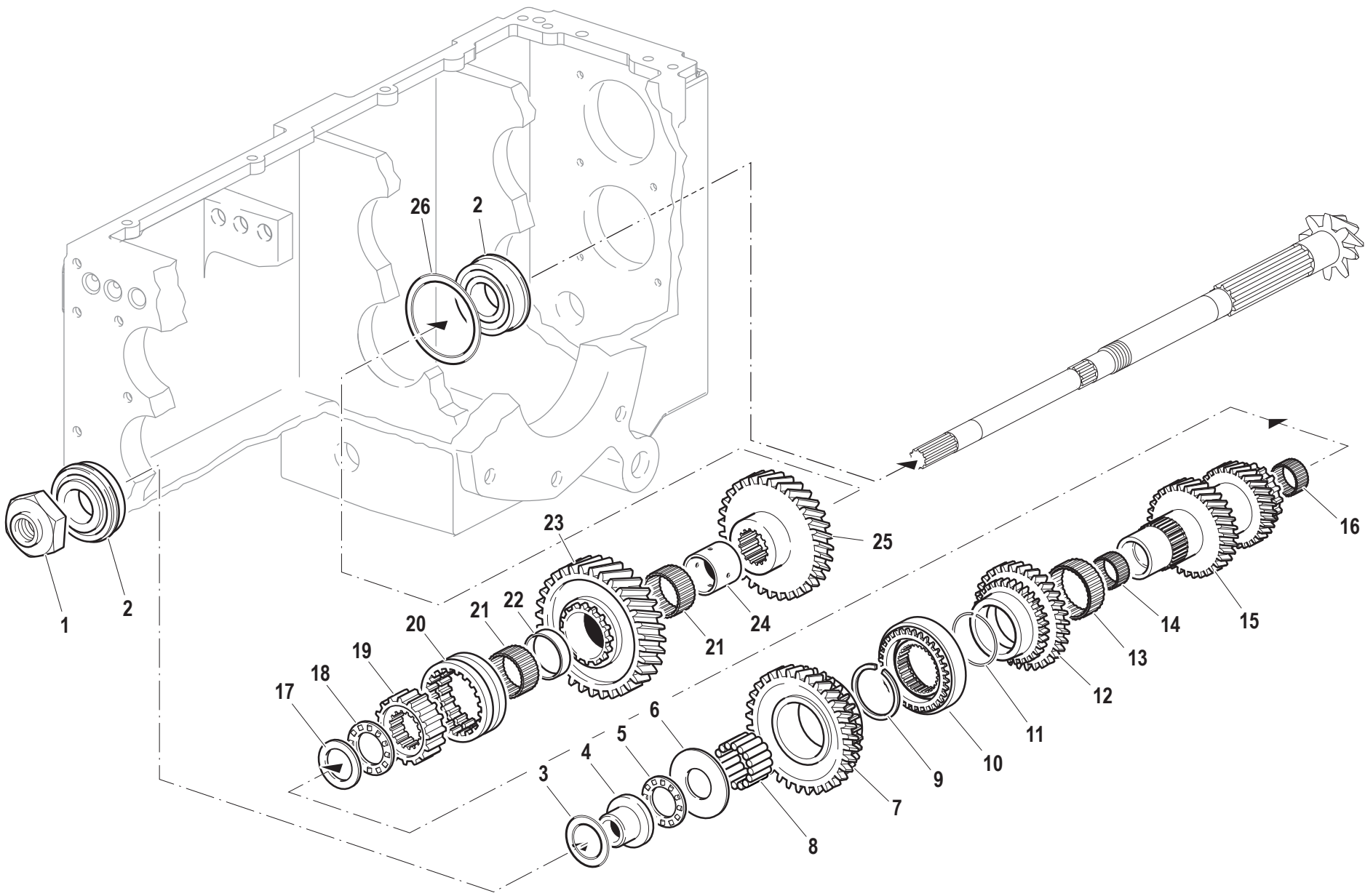


Pos.	Code	Q.ty	Description	Notes
35	31112208	1	SCREW TE M10X16 UNI 5739	
36	F0843755000	1	WASHER 10	



Pos.	Code	Q.ty	Description	Notes
1	F0801241010	1	SEEGER RING E 30 UNI 7436	
2	F0812750000	1	BEARING 6206-NR (30X62/16)	
3	56371440	2	HALF RING	
4	56471441	1	SHIM	
5	F0812737000	2	ROLLER CAGE K 30X35/27	
6	52479154	1	SPEED GEAR	
7	58179928	1	LOCK SYNCHRONIZER	
8	F0801266050	2	SAFETY RING	
9	52479155	1	SPEED GEAR	
10	56471654	1	SHIM	
11	35121030	1	SEEGER RING E 30 DIN 471	
12	F0801346200	1	SAFETY RING	
13	52479156	1	SLIDING GEAR	
14	F0801266000	4	SAFETY RING	
15	F0812736010	1	ROLLER CAGE K 30X35/20 H	
16	52479158	1	CONDUCTOR GEAR	
17	50974166	1	BEARING	
18	58073788	1	SEEGER RING	
19	F0801331050	1	SEEGER RING E 45 UNI 7436	
20	590A2346	1	TUBO LUBR.INVERS.SINCR.55-65	
21	31112082	3	SCREW TE M6X12 UNI 5739 8G	
22	31450060	3	SMALL PLATE	
23	590A0756	1	TUBO SFIATO 55-65	

GEARS TRANSMISSION SHAFT / GEARS



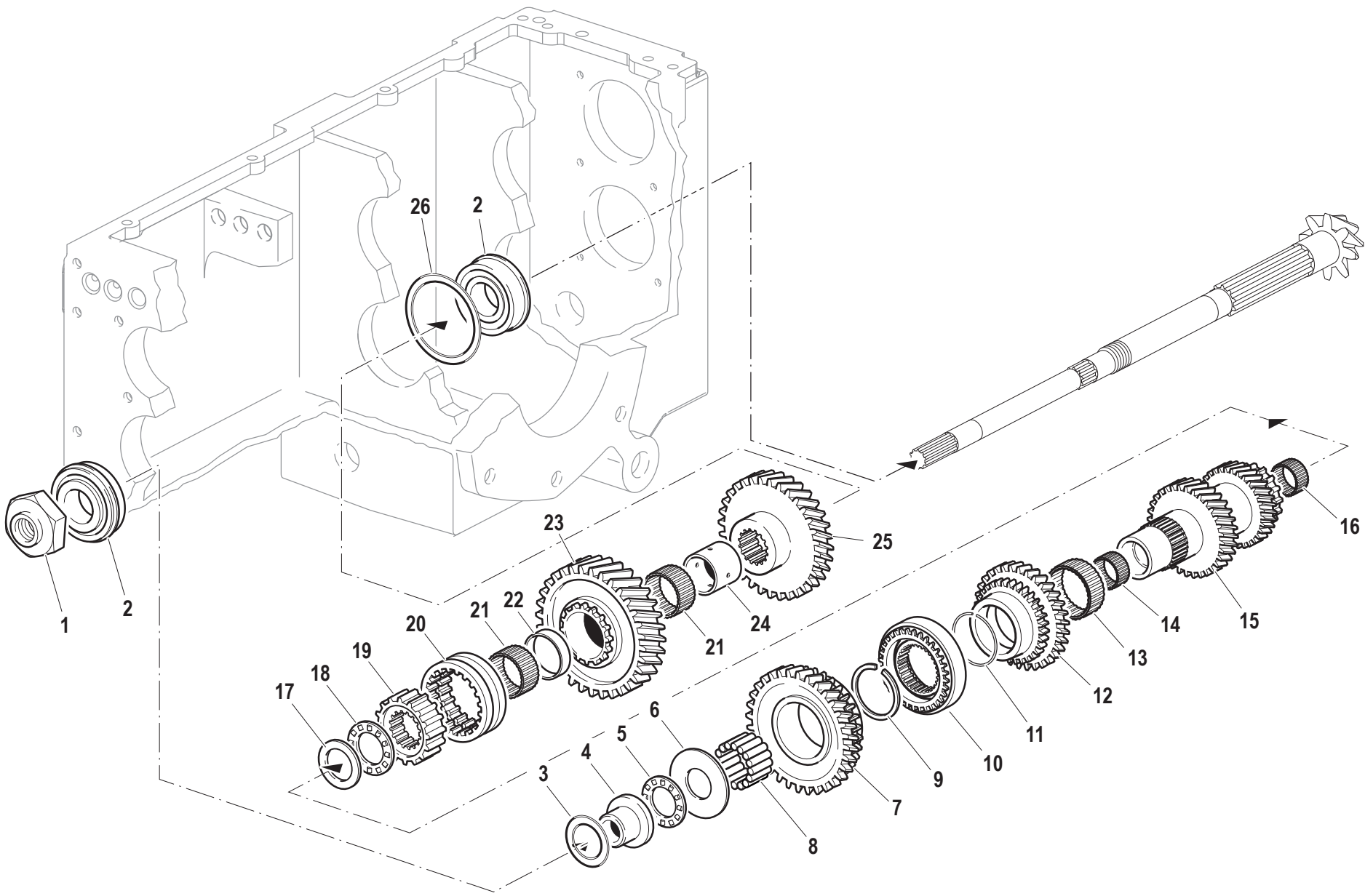
Pos.	Code	Q.ty	Description	Notes
1	56371652	1	NUT	
2	37120000	1	BEARING	
3	58024193	0.2	SHIM	
3	58024194	0.2	SHIM	
3	58024195	0.2	SHIM	
3	58024196	0.2	SHIM	
3	58074109	0.2	SHIM	
4	56471655	1	BUSHING	
5	58173790	1	BEARING	
6	52473789	0.33	THRUST PLATE	
6	52473812	0.34	THRUST PLATE	
6	52473813	0.33	THRUST PLATE	
7	524A2303	1	DRIVE GEAR 1°VEL.50-60CV	
8	58179169	33	ROLLER	
9	F0801280100	1	SAFETY RING	
10	58175937	1	LOCK SYNCHRONIZER	
11	58072505	1	SHOULDERED WASHER	
12	52479164	1	DRIVEN GEAR	
13	F0812918050	1	ROLLER CAGE K 42X47/17	
14	F0812686100	1	ROLLER CAGE K 25X30X24 H	
15	524A2302	1	DO.DRI.GEAR 3°-4°VEL50-60CV	
16	F0812732080	1	ROLLER CAGE 27X34/17 H	
17	52473796	1	THRUST PLATE	
18	58173797	1	BEARING	
19	52473721	1	SLEEVE	
20	52471459	1	SLIDING SLEEVE	
21	F0812871030	2	ROLLER CAGE K 37X42/17	
22	56271457	1	SPACER	
23	52479160	1	DOUBLE GEAR	
24	56471461	1	BUSHING	
25	52479157	1	SPEED GEAR	
26	56371661	0.2	ADJUSTING RING	
26	56371662	0.2	ADJUSTING RING	
26	56371663	0.2	ADJUSTING RING	

SERIAL

GEARS TRANSMISSION SHAFT / GEARS

CODE REV

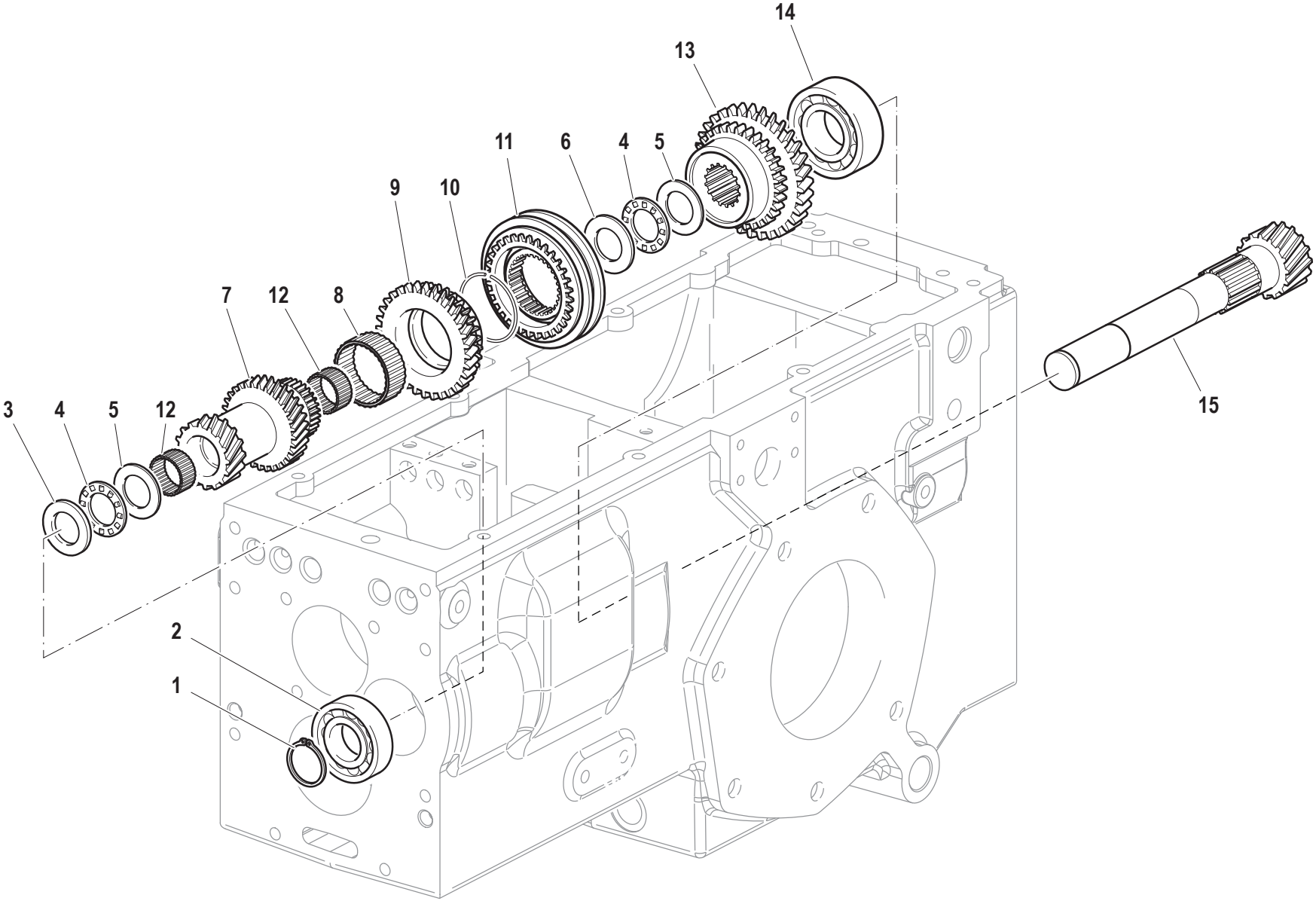
D.08.01.L40023_0



D.08.01.L40023_0.ai

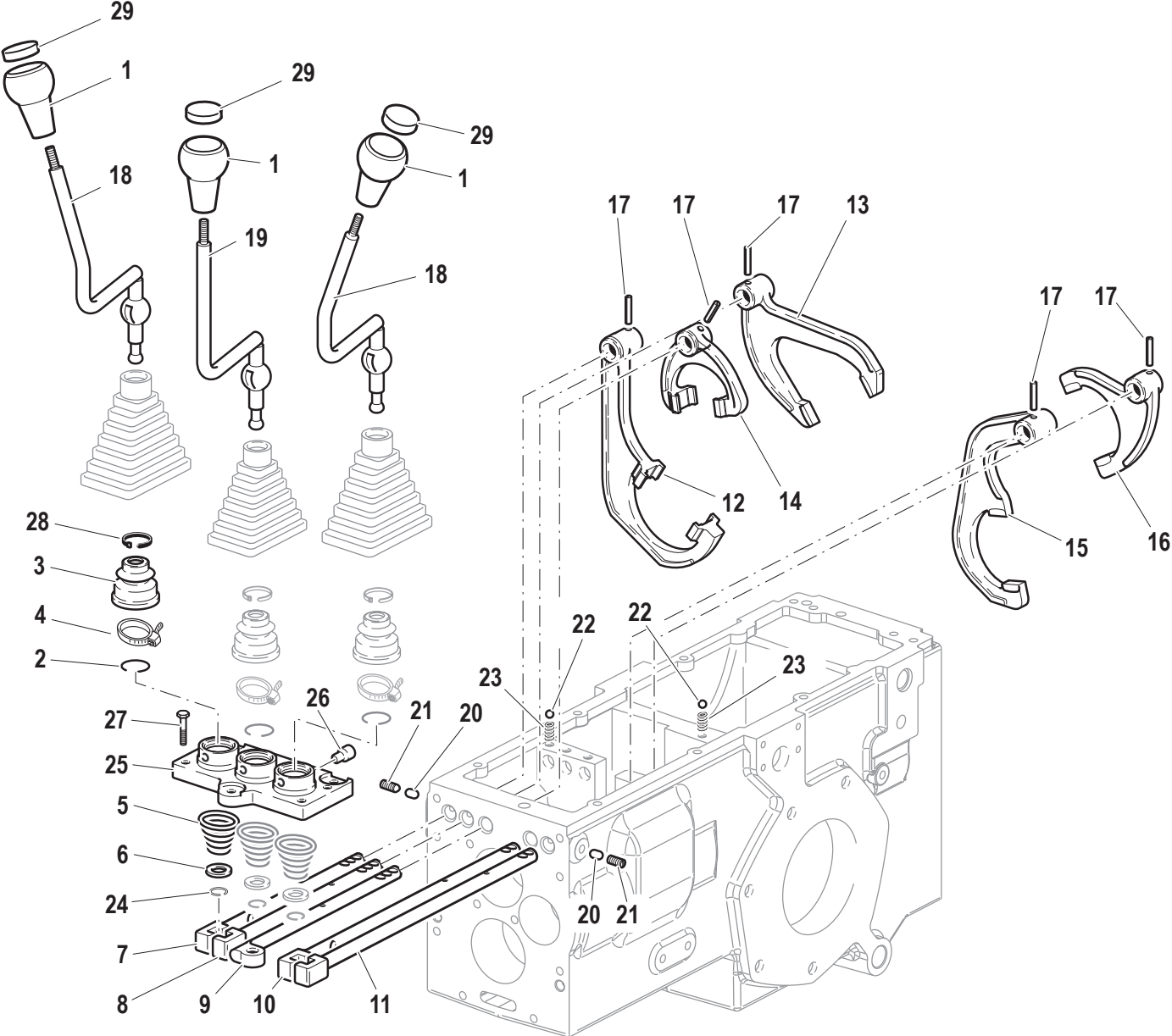
Pos.	Code	Q.ty	Description	Notes
26	56371664	0.2	ADJUSTING RING	
26	56373440	0.2	ADJUSTING RING	

COUNTERSHAFT AND CORRESPONDING GEARS

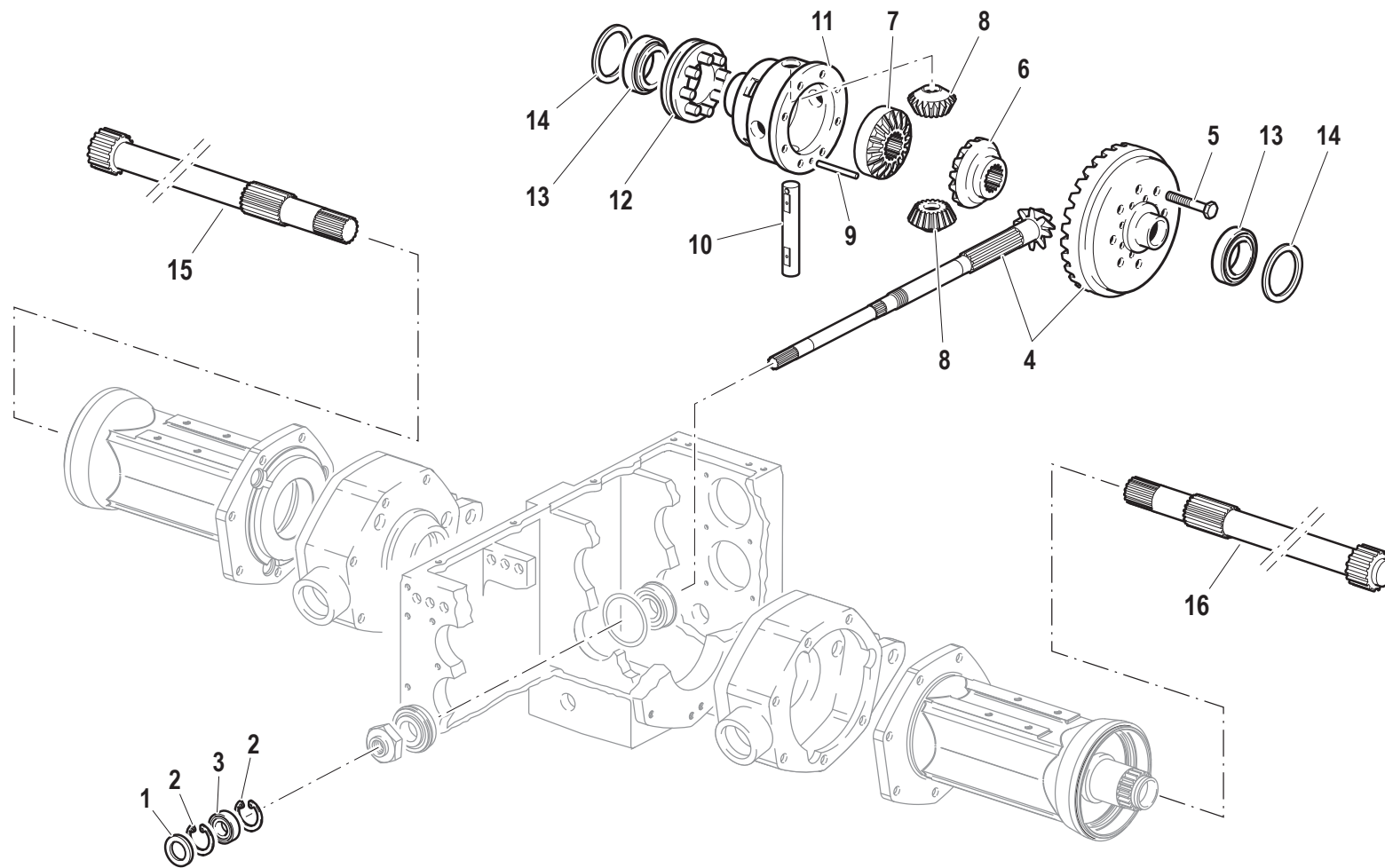


Pos.	Code	Q.ty	Description	Notes
1	35131026	1	SEEGER RING E 25X2 UNI 7436	
2	37120100	1	BEARING	
3	52473791	0.2	THRUST PLATE	
3	52473815	0.1	THRUST PLATE	
3	52474239	0.1	THRUST PLATE	
3	52477987	0.6	THRUST PLATE	
4	58173790	2	BEARING	
5	58173792	2	THRUST PLATE	
6	52477986	1	THRUST PLATE	
7	52479153	1	CONDUCTOR GEAR	
8	F0812918050	1	ROLLER CAGE K 42X47/17	
9	52479165	1	CONDUCTOR GEAR	
10	58072505	1	SHOULDERED WASHER	
11	58172571	1	LOCK SYNCHRONIZER	
12	F0812689000	2	ROLLER CAGE K 25X30/20 H	
13	52479161	1	CONDUCTOR GEAR	
14	37120000	1	BEARING	
15	52479152	1	DRIVE SHAFT	

GEARBOX CONTROLS

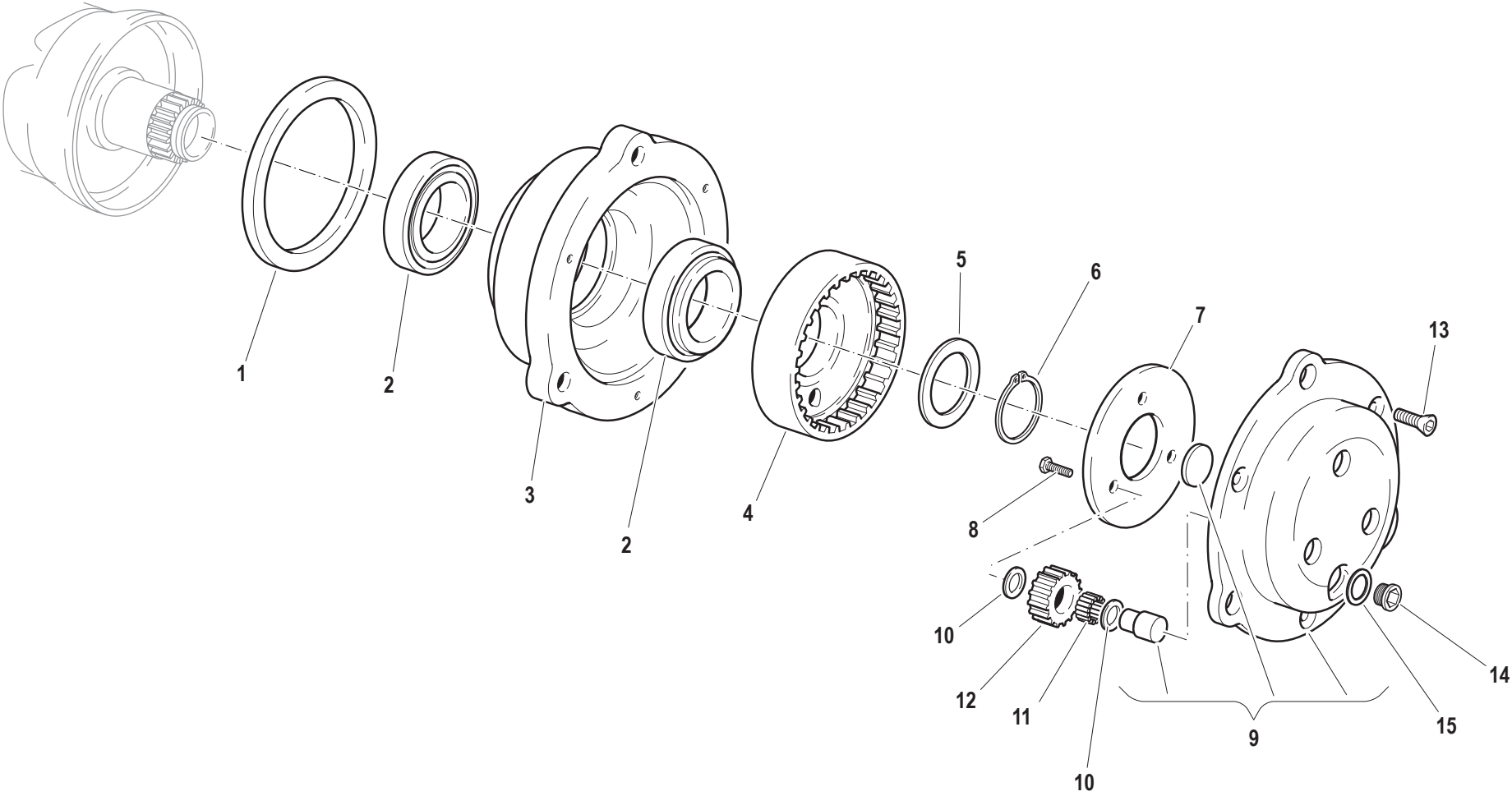


Pos.	Code	Q.ty	Description	Notes
1	581A1577	3	KNOB	
2	58070169	3	LOCKRING	
3	551A1603	3	GEAR LEVERS CAP	
4	F0817500470	3	CLAMP	
5	58070164	3	SPRING	
6	56370172	3	SPACER	
7	56379287	1	PULL ROD	
8	56379290	1	PULL ROD	
9	56379286	1	PULL ROD	
10	56379289	1	PULL ROD	
11	56379288	1	PULL ROD	
12	52275923	1	SELECTOR FORK	
13	52373240	1	SELECTOR FORK	
14	52275924	1	SELECTOR FORK	
15	51272405	1	SELECTOR FORK	
16	51279318	1	GEAR FORK	
17	F0851180000	5	PIN 5X26 DIN 1481 CL:C72	
18	523A2301	2	GEAR LEVER +GAMME K60-V65-REV-	
19	523A2300	1	REVERSE GEAR LEVER K60-V65-REV	
20	56571697	2	TOGGLE	
21	F0863105000	2	SCREW M10X10 UNI 5923	
22	F0847434000	5	BALL	
23	58070741	5	SPRING	
24	58070168	3	LOCKRING	
25	511A2298	1	COP.LEVE CAMBIO K60-65-REV-	
26	56370018	6	HINGE PIN	
27	P00000000500	4	SCREW M8X30 DIN 7984 8G	
28	F0817640003	3	CLAMP 4,8x180	
29	561A1576	3	ALU KNOB COVER	

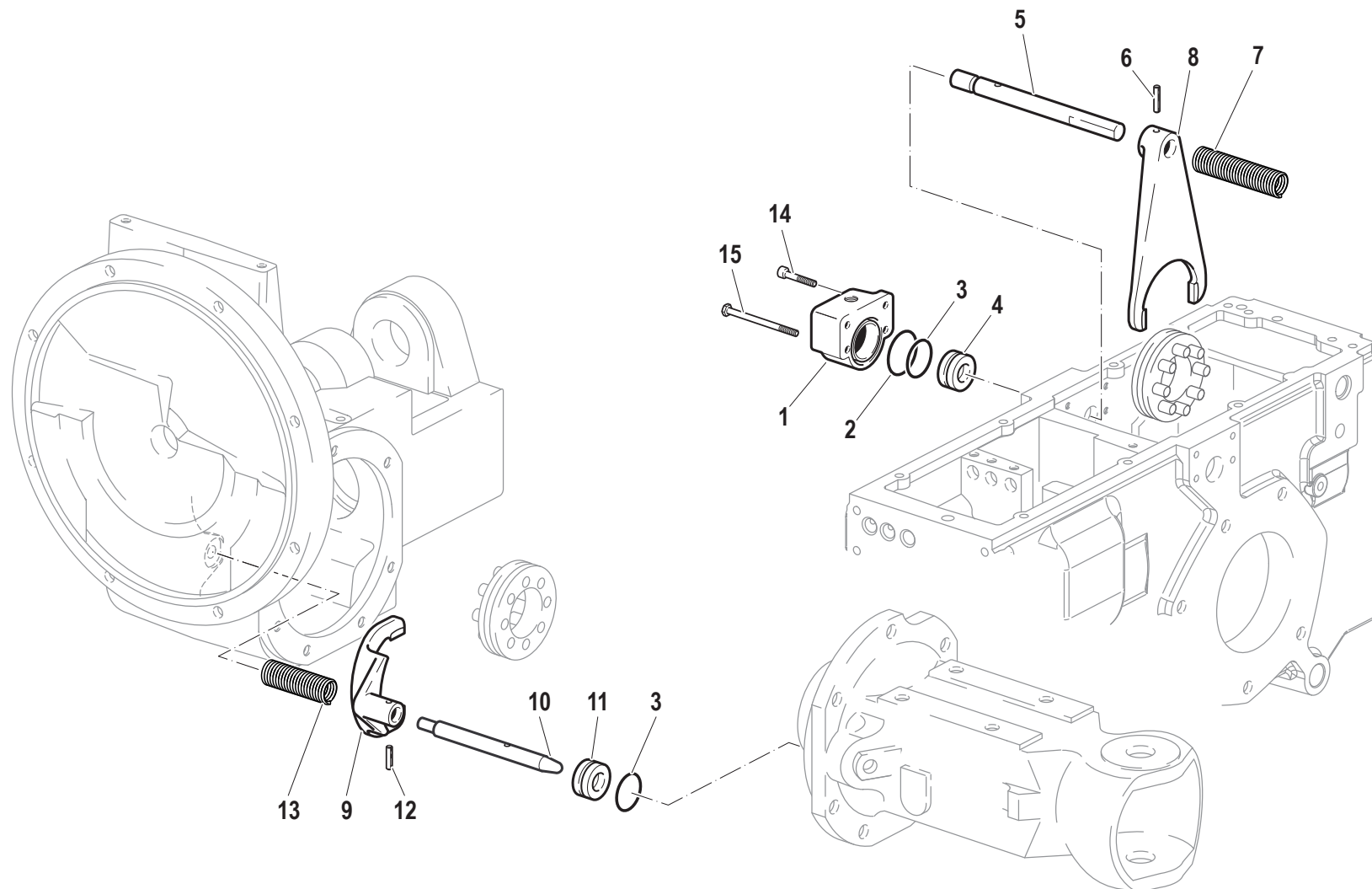


Pos.	Code	Q.ty	Description	Notes
1	38212006	1	OIL SEAL 20x42/7	
2	35111042	2	SEEGER RING I 42 DIN 472	
3	F0812631000	1	BEARING 6004 (20X42/12)	
4	59379580	1	BEVEL GEAR	
5	F0863267050	8	SCREW M10x25	
6	52471513	1	CROWN WHEEL	
7	52471516	1	CROWN WHEEL	
8	52471509	2	PLANETARY GEAR	
9	56371994	1	PIN	
10	56471508	1	PIN	
11	51374866	1	HOUSING	
12	59071518	1	SLEEVE	
13	F0812895000	2	BEARING 32008 (40X68X19)	
15	52572606	1	REAR AXLE SHAFT	
16	52572605	1	REAR AXLE SHAFT	
14,1	56371582	0.8	RING	
14,2	56371583	0.8	RING	
14,3	56371584	0.8	RING	
14,4	56371585	0.8	RING	
14,5	56371586	0.8	RING	

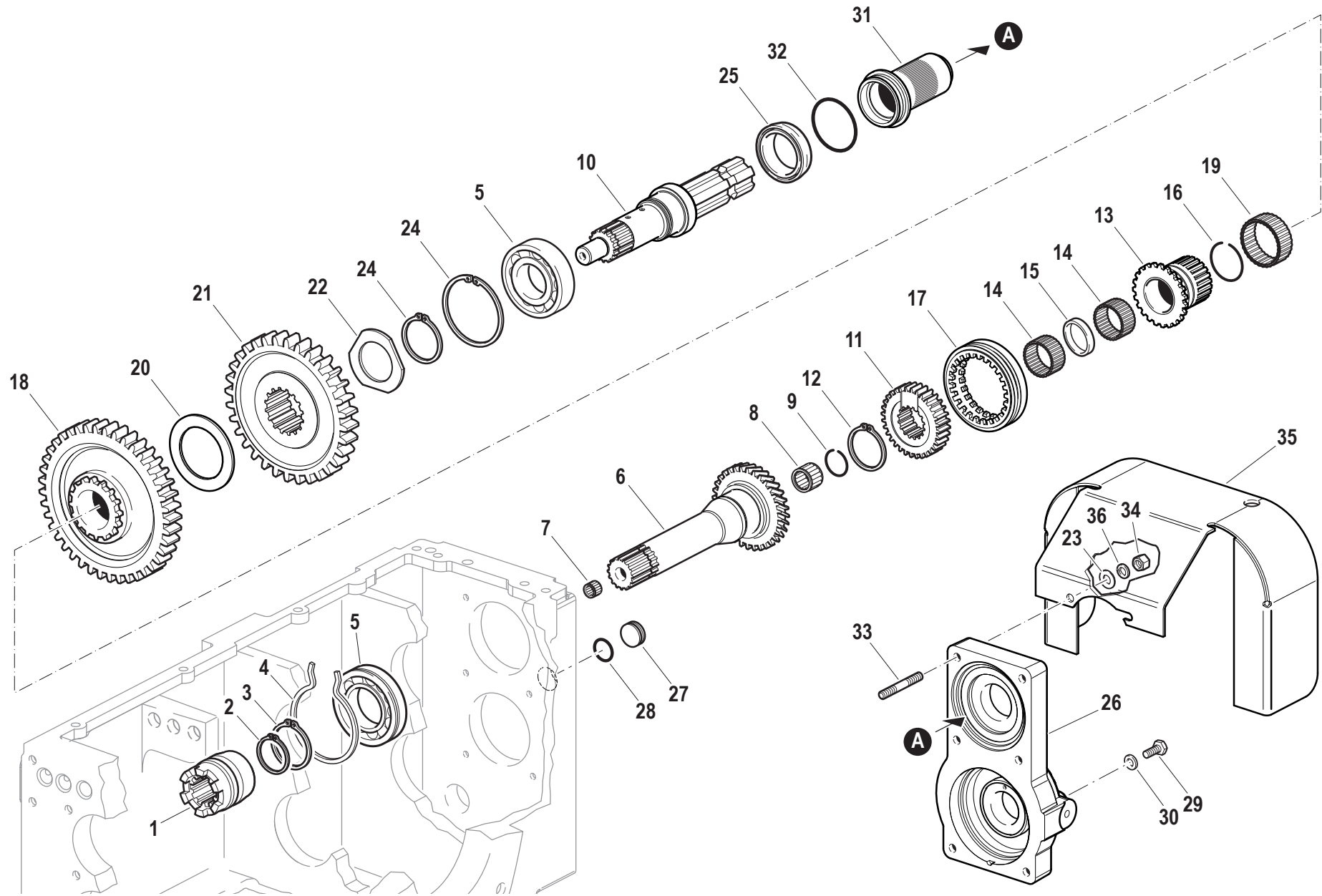
REDUCTION GEARS



Pos.	Code	Q.ty	Description	Notes
1	F0802700150	2	SEAL 125x150x12	
2	F0812973000	4	BEARING 32011X	
3	51172508	2	HUB	
4	52473920	2	CROWN WHEEL	
5	56371575	0.3	SHIM	
5	56371576	0.3	SHIM	
5	56371577	0.3	SHIM	
5	56371578	0.3	SHIM	
5	56371579	0.3	SHIM	
5	56373349	0.3	SHIM	
5	56373350	0.3	SHIM	
6	F0801346000	2	SEEGER RING E 48 UNI 7436	
7	56173919	2	ADJUSTING RING	
8	F0862090000	6	SCREW M6X16 8.8	
9	59273944	2	COVER	
10	58171567	12	SHIM	
11	58171653	120	ROLLER	
12	52473921	6	PLANETARY GEAR	
13	F0862655000	6	SCREW M8X25-5933	
14	56370081	2	PLUG	
15	F0844273090	2	GASKET 22X28X1,5 CU 99,5	



Pos.	Code	Q.ty	Description	Notes
1	52378576	1	LOCKING MECHANISM	
2	F0803209000	1	O-RING 3156	
3	58170195	1	GASKET	
4	56370187	1	PISTON	
5	56371646	1	LOCKING DEVICE	
6	F0851267050	1	PIN 6X30 DIN 7343 CL:C72	
7	58070198	1	SPRING	
8	51271647	1	FORK	
9	51271615	1	FORK	
10	56371613	1	LOCKING DEVICE	
11	56370583	1	PISTON	
12	F0851260000	1	PIN 6X24 DIN 1481	
13	58070205	1	SPRING	
14	31152085	2	SCREW TCEI M8X25 UNI 5931	
15	31112161	2	SCREW TE M8X50 UNI 5737 8G	



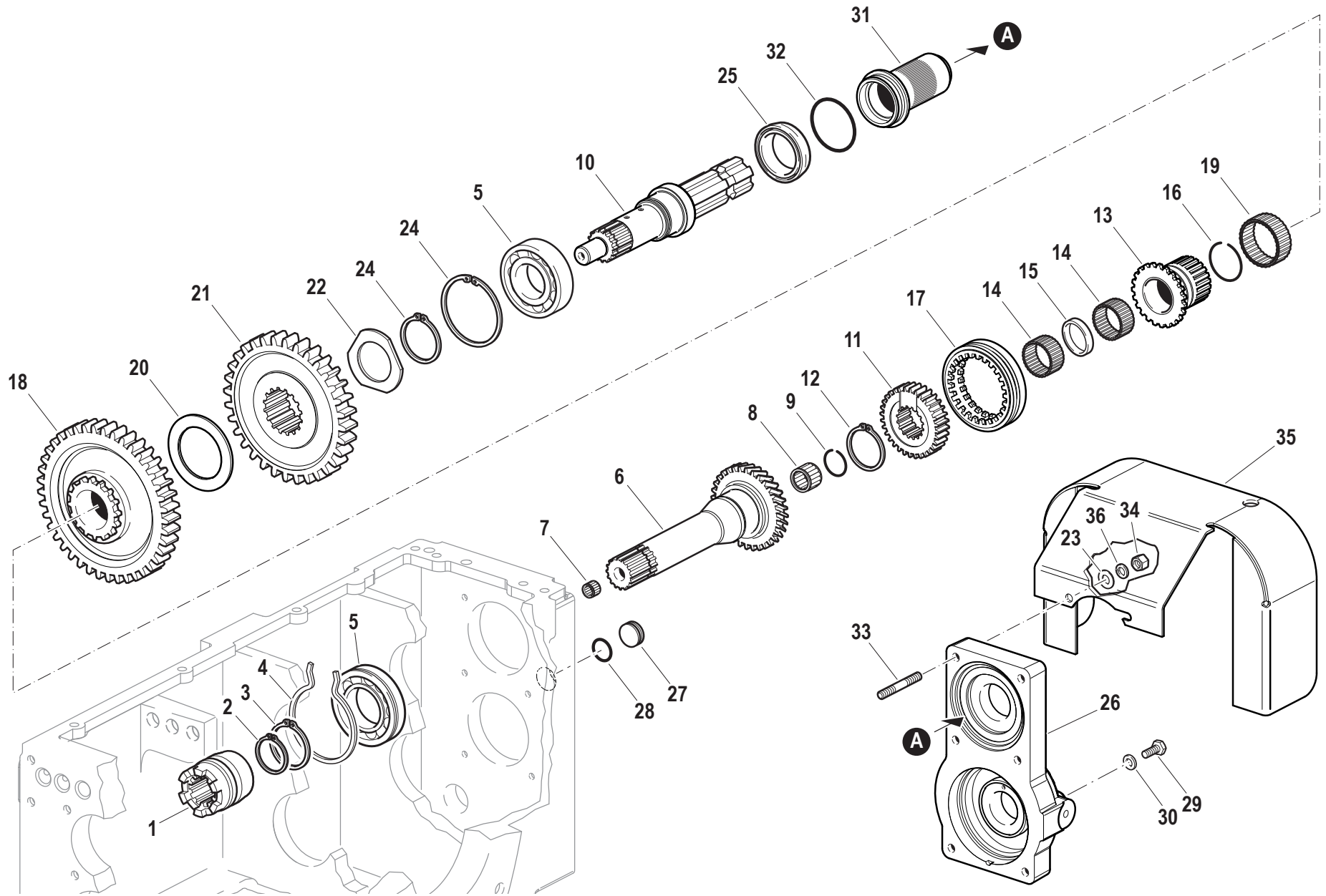
Pos.	Code	Q.ty	Description	Notes
1	52474190	1	GEAR SLEEVE	
2	35121030	1	SEEGER RING E 30 DIN 471	
3	35121040	1	SEEGER RING E 40 DIN 471	
4	58179237	1	SEEGER RING	
5	F0812899000	2	BEARING 6208-NR	
6	52479220	1	PTO SHAFT	
7	F0812525100	1	BUSHING HK1210-B	
8	F0812599090	1	ROLLER CAGE K 18x24/20	
9	F0801175500	1	SAFETY RING	
10	52479225	1	PTO SHAFT	
11	52479223	1	FIX SLEEVE	
12	F0801244080	1	SEEGER RING E 32X2 UNI 7436	
13	52479222	1	GEAR SLEEVE	
14	37321317	2	ROLLER CAGE	
15	56379267	1	SPACER	
16	37931413	1	SAFETY RING	
17	52479233	1	SHIFTING CLAW	
18	524A2294	1	DRIVE GEAR PDF 540 K60-V65	
19	F0812951200	1	ROLLER CAGE K 50X55/20 H	
20	56475568	1	SHIM	
21	524A2296	1	DRIVE GEAR PDF 750 K60-V65	
22	56479240	1	THRUST PLATE	
23	31411084	2	WASHER 8,4x17	
24	F0801297050	2	SEEGER RING E 40x2,5 U/7436	
25	F0802228005	1	SEAL 48x65/10	
26	59379041	1	COVER	
27	56074313	1	PLUG	
28	F0803199010	1	O-RING 132 (23,81X2,62)	
29	F0862448100	1	SCREW M8X10 UNI 5740	
30	F0843641000	1	COPPER WASHER 8x14/1,5	
31	P47033000000	1	GUARD	
32	P47043300000	1	PROTECTIVE RING	
33	31312087	6	PRIG.M8x40 UNI 5911 8.8 ZNT/B	
34	31211080	6	NUT M8	

SERIAL

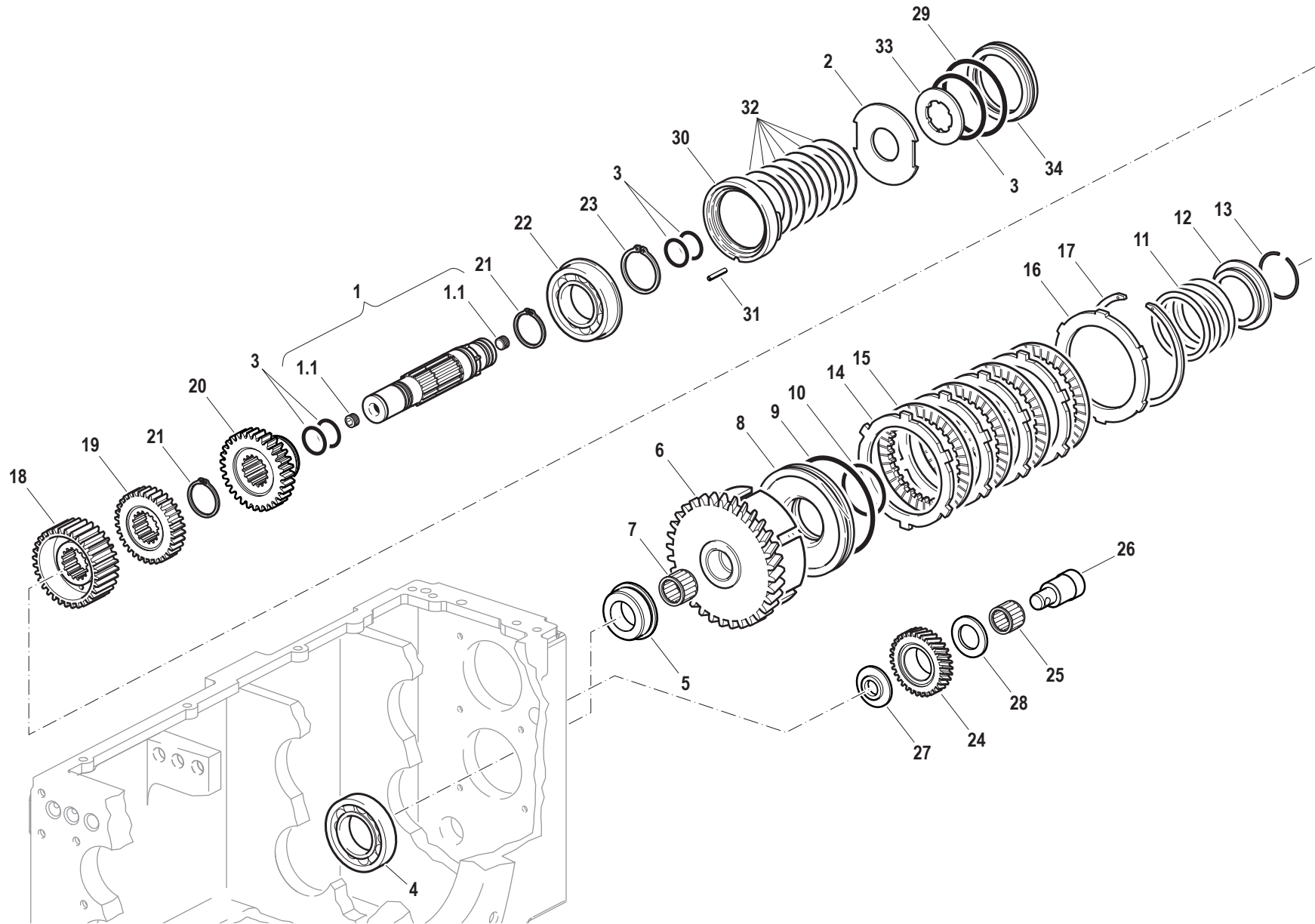
POWER TAKE-OFF

CODE REV

D.14.01.L40023_0



Pos.	Code	Q.ty	Description	Notes
35	560A1035	1	P.T.O. PROTECTION	
36	F0843643060	2	WASHER 8	



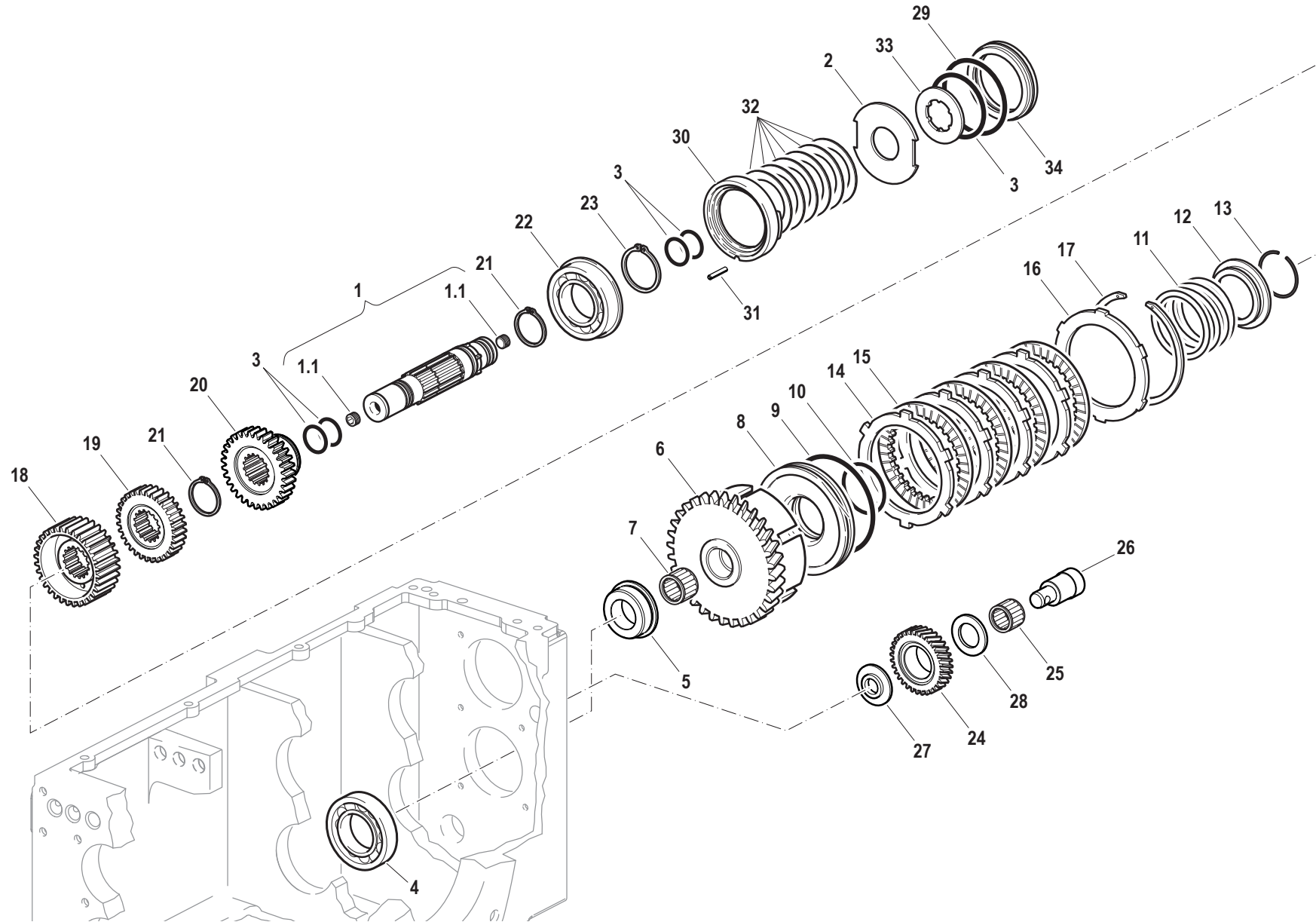
Pos.	Code	Q.ty	Description	Notes
1	56479697	1	SHAFT	
2	58072398	4	SEAL	
2	56473890	0.3	BRAKE DISC	
2	56474713	0.1	BRAKE DISC	
2	56474714	0.1	BRAKE DISC	
2	56475517	0.25	BRAKE DISC	
2	56475518	0.25	CLUTCH DISC	
3	38116317	1	RING	
4	37112503	1	BEARING	
5	56479239	1	BUSHING	
6	56479221	1	CLUTCH HOUSING	
7	F0812736010	1	ROLLER CAGE K 30X35/20 H	
8	53279226	1	PISTON	
9	58172400	1	GASKET	
10	58172402	1	GASKET	
11	58074092	1	RESTORING SPRING	
12	563A2120	1	ANELLO MOLLA RICH.STANTUFFO	
13	58072399	1	SAFETY RING	
14	58172448	4	DISC	
15	58172447	4	DISC	
16	52372292	1	RING	
17	58072389	1	CIRCLIP	
18	52579229	1	DISC HUB	
19	524A2293	1	DRIVE GEAR PDF 540K60-V65	
20	524A2295	1	DRIVE GEAR PDF 750K60-V65	
21	F0801264050	2	SEEGER RING E 35X2,5 U/7436	
22	37111461	1	BEARING	
23	F0801331000	1	SEEGER RING E 45 UNI 7435	
24	52479236	1	PTO GEAR	
25	F0812689050	1	ROLLER CAGE K 25X33/20	
26	52479238	1	GEAR PIN	
27	56479241	1	THRUST PLATE	
28	56479242	1	THRUST PLATE	
29	38118720	1	O-RING	

SERIAL

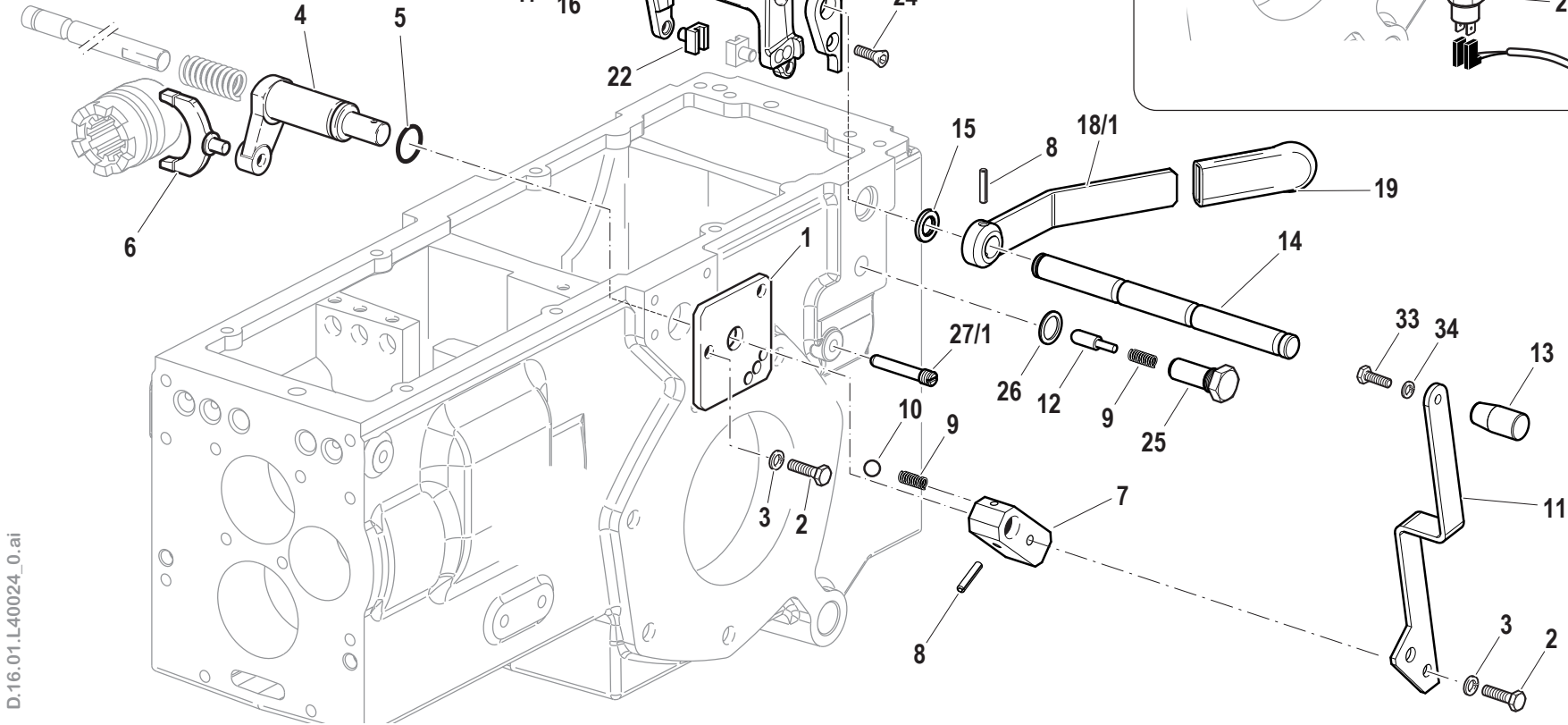
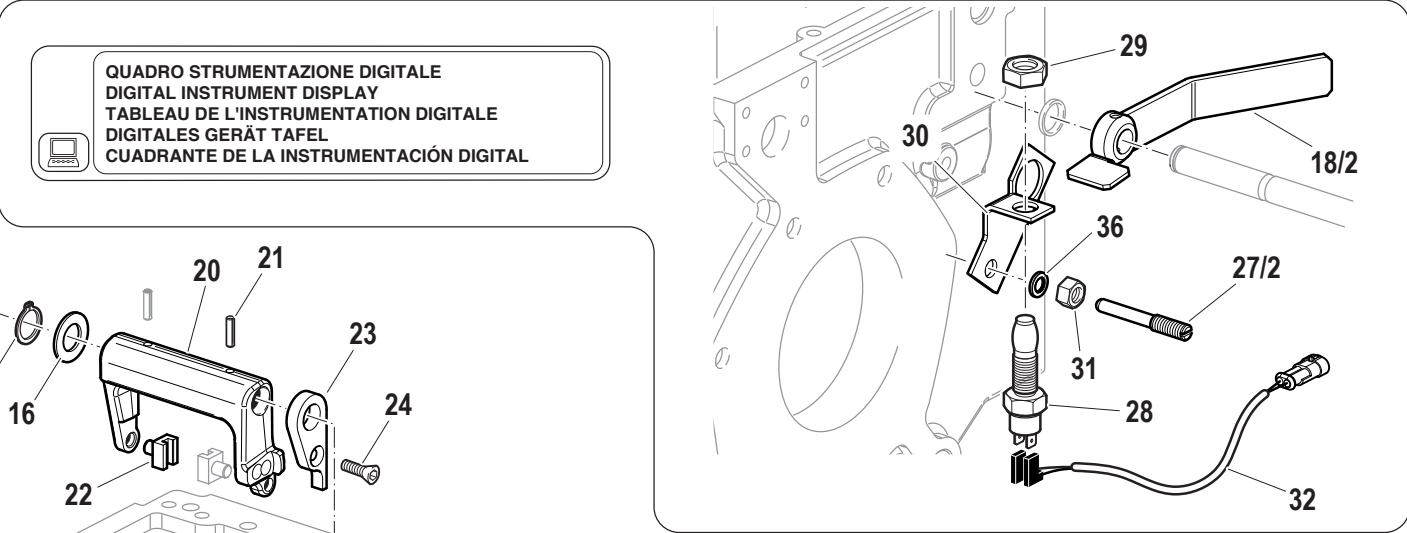
POWER TAKE-OFF

CODE REV

D.15.01.L40023_0



Pos.	Code	Q.ty	Description	Notes
30	56479039	1	SPACER	
31	F0851226000	1	PIN 6X12 UNI 1707 CL:C20	
32	58075515	6	SPRING	
33	56475844	1	CLUTCH DISC	
34	53273891	1	PISTON	
1,1	F0852578060	2	CONICAL PLUG	



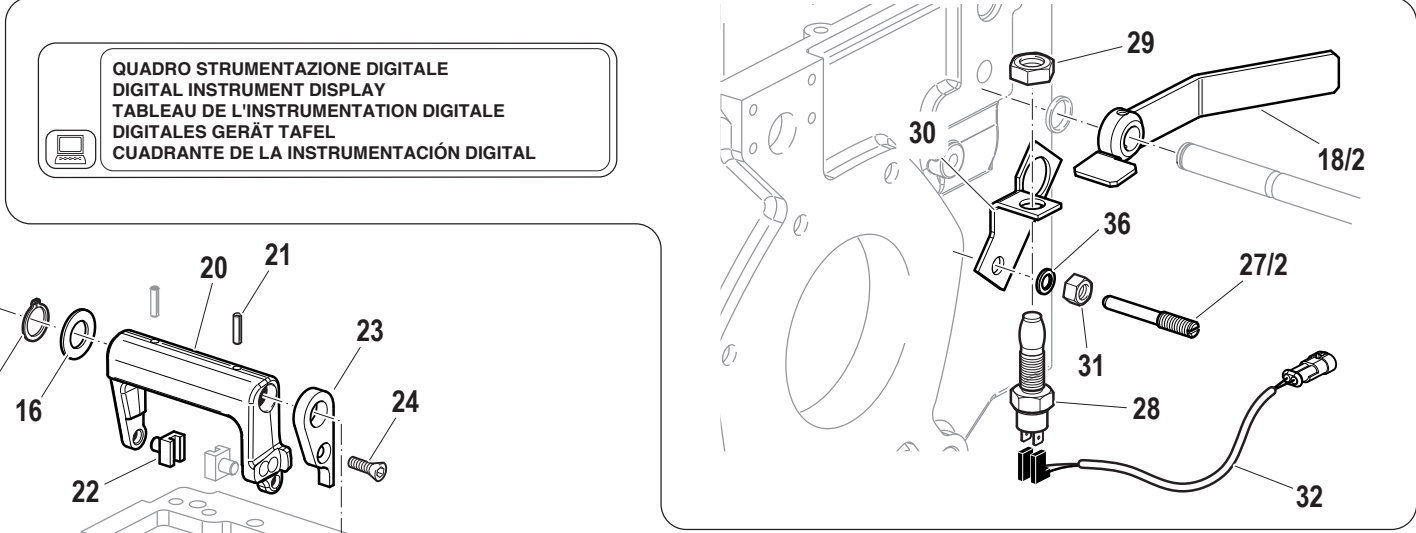
Pos.	Code	Q.ty	Description	Notes
1	59072754	1	PLATE	
2	31112150	3	SCREW TE M8X20 UNI 5739 8G	
3	F0843643060	3	WASHER 8	
4	52371679	1	LEVER	
5	38112200	1	O-RING 3087 (22,00X2,62)	
6	52472430	1	SELECTOR FORK	
7	561A0430	1	SMALL BLOCK	
8	34211054	2	ROLL PIN	
9	58070741	2	SPRING	
10	F0847434000	1	BALL	
11	590A2059	1	LEVA COMPL.COM.PDF K60-65-REV-	
12	56379323	1	TOGGLE	
13	58177240	1	GRIP	
14	56379325	1	ROD	
15	38211601	2	OIL SEAL BA 16x24x4	
16	31411170	1	WASHER 17x30	
17	F0801116050	1	SEEGER RING E 16 UNI 7436	
19	F0828468050	1	GRIP	
20	59079319	1	SELECTOR FORK	
21	34213054	2	ROLL PIN	
22	52479321	2	SHOE	
23	56179322	1	BRACKET	
24	31132562	1	SCREW TSVEI M6X16 UNI 5933	
25	56379320	1	CASING	
26	F0844030070	1	COPPER WASHER 16,0x22/1,5	
28	58173230	1	PUSH-BUTTON	
29	F0814744050	1	NUT M14X1,5	
30	590A0101	1	BRACKET	
31	31212100	1	NUT M10	
32	580A0482	1	CABLE	
33	31112093	1	SCREW TE M6X20 UNI 5739 8G	
34	F0843570000	1	WASHER 6	
35	55178581	1	BELLOWS	
36	F0843755000	1	WASHER 10	

SERIAL

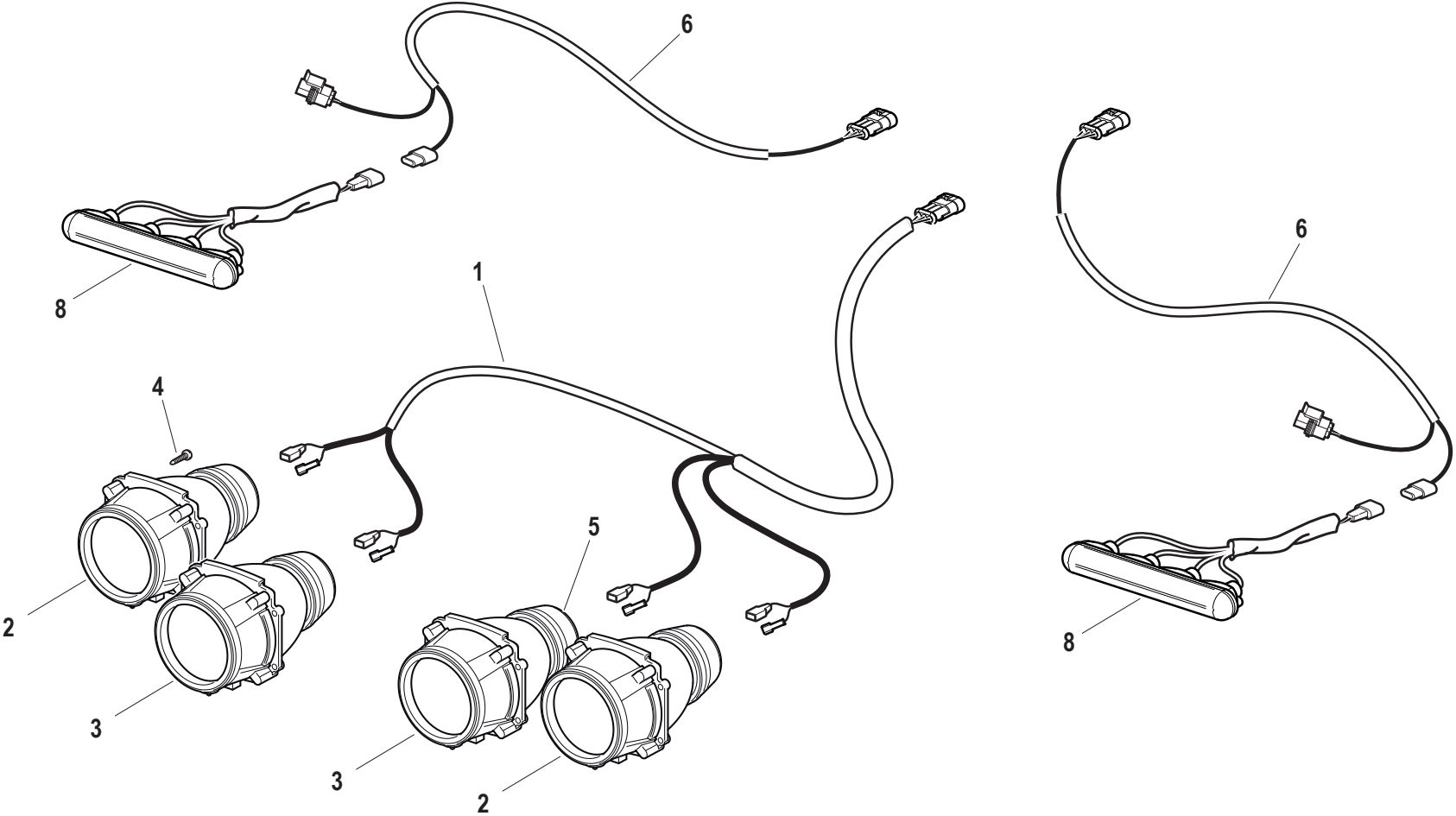
POWER TAKE-OFF CONTROLS

CODE REV

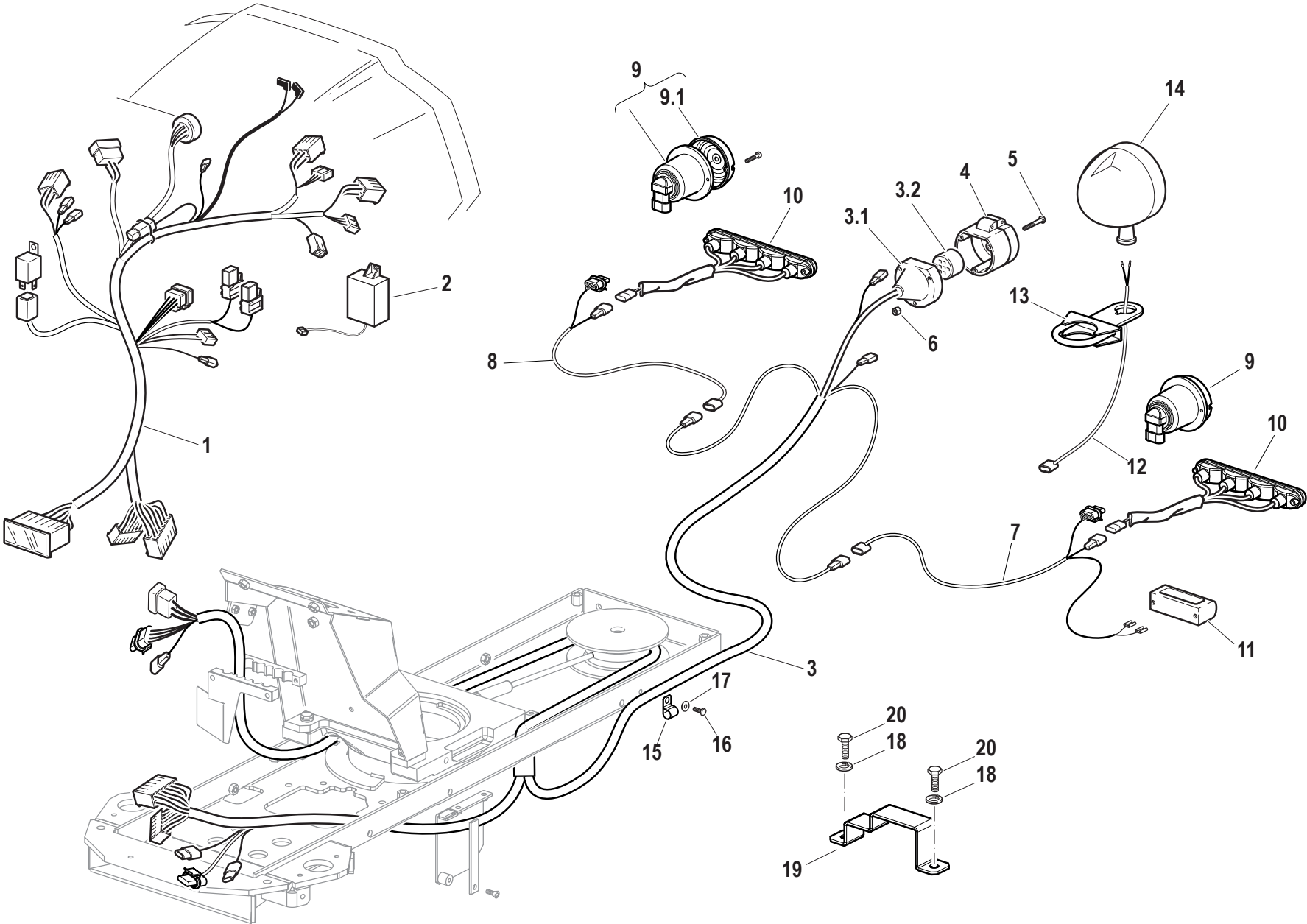
D.16.01.L40024_0



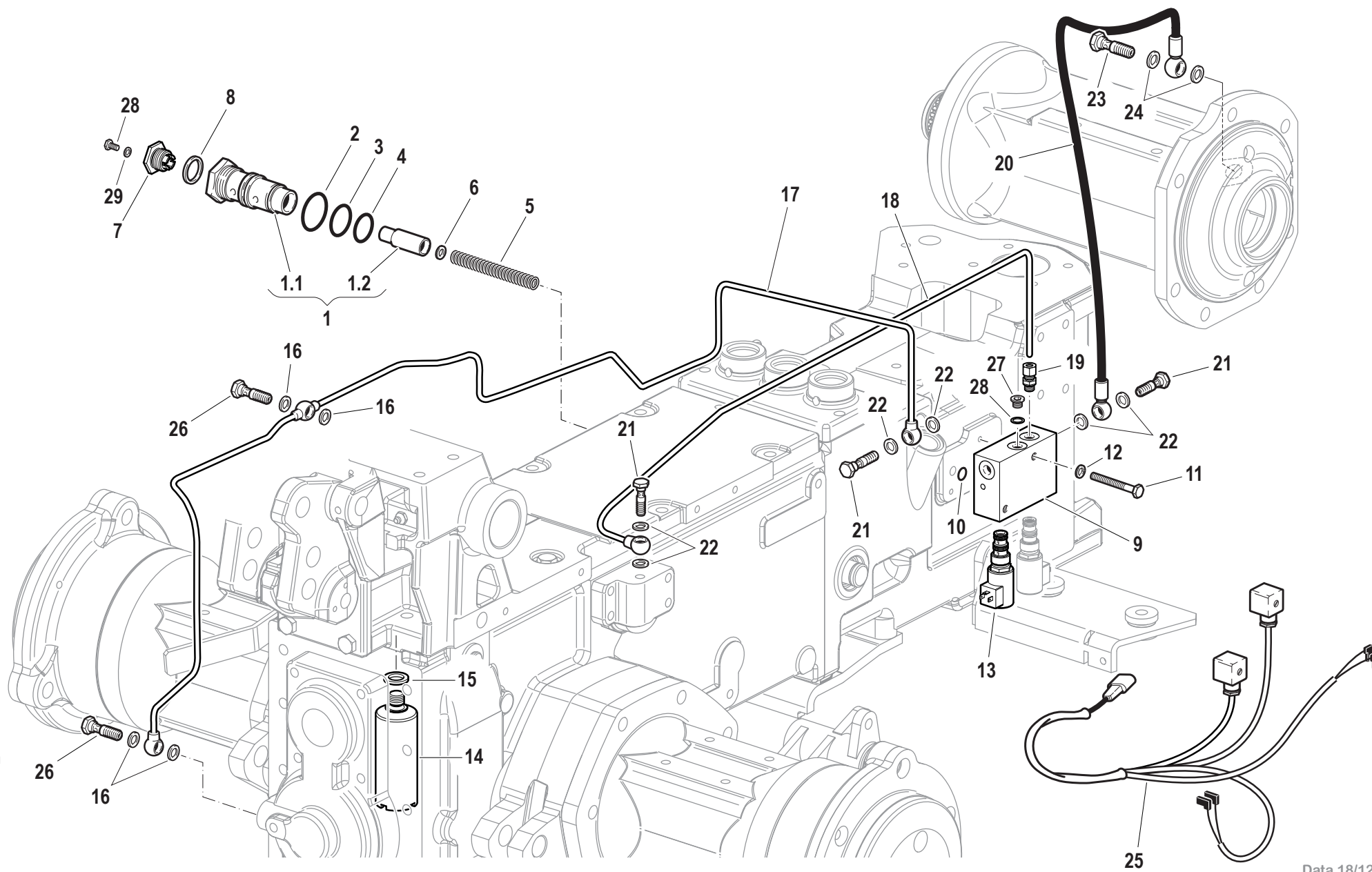
Pos.	Code	Q.ty	Description	Notes
18,01	59079324	1	PTO LEVER	
18,02	590A0329	1	PTO LEVER	
27,01	56379266	1	VITE M10x1,5/55 C40BON.ZNT/B *	
27,02	563A0095	1	VITE M10x1,5/72 C40BON.ZNT/B	



Pos.	Code	Q.ty	Description	Notes
1	580A0478	1	CABLE	
2	581A0071	2	OPTICAL GROUP	
3	58176395	2	OPTICAL GROUP	
4	F0861867050	16	SCREW M4,2X19 DIN 7981	
5	58176743	4	CAP	
6	580A0479	2	CABLE	
8	58176406	4	INDICATOR	

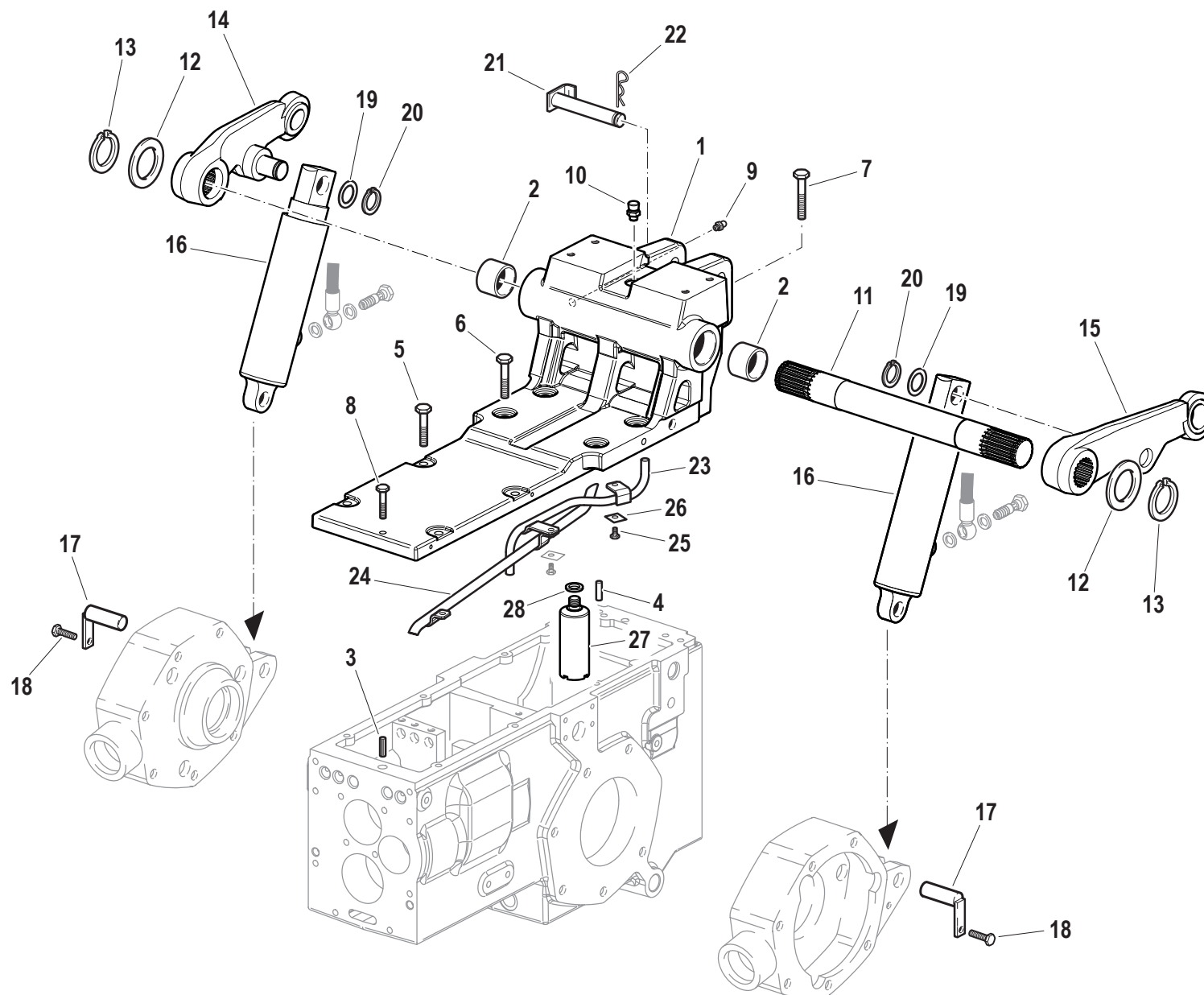


Pos.	Code	Q.ty	Description	Notes
1	580A3183	1	CAVO STRUMENT.K60-V65-75-95ST1	
2	58175700	1	SWITCHING DEVICE	
3	580A2747	1	CAVO CENTRALE K60-V65-REV-	
4	F0825438000	1	SOCKET	
5	F0861941000	3	SCREW M5X35 UNI 6107	
6	31211050	3	NUT M5	
7	580A2757	1	CAVO LUCI POST.SX K60-V65	
8	580A0481	1	CABLE	
9	58176396	2	LAMP	
10	58176406	4	INDICATOR	
11	30000506	1	LAMP	
12	58077305	1	CABLE	
13	59077242	1	SUPPORT	
14	F0825493000	1	HEADLIGHT	
15	F0825416000	2	CLAMP	
16	31111090	2	SCREW TE M5X10 UNI 5739 8G	
17	31411064	2	WASHER 6,4x12,5	
18	F0843561000	3	WASHER 5	
19	561A3015Z	1	STAF.BL.TUBO IDROG.K60-V65 ZNT	
20	31111089	2	SCREW TE M5X10 UNI 5739 8G	
3.1	58170572	1	CAP	
3.2	58170571	1	ATTACHMENT PLUG	
9.1	59901087	2	REAR LIGHT GLASS	

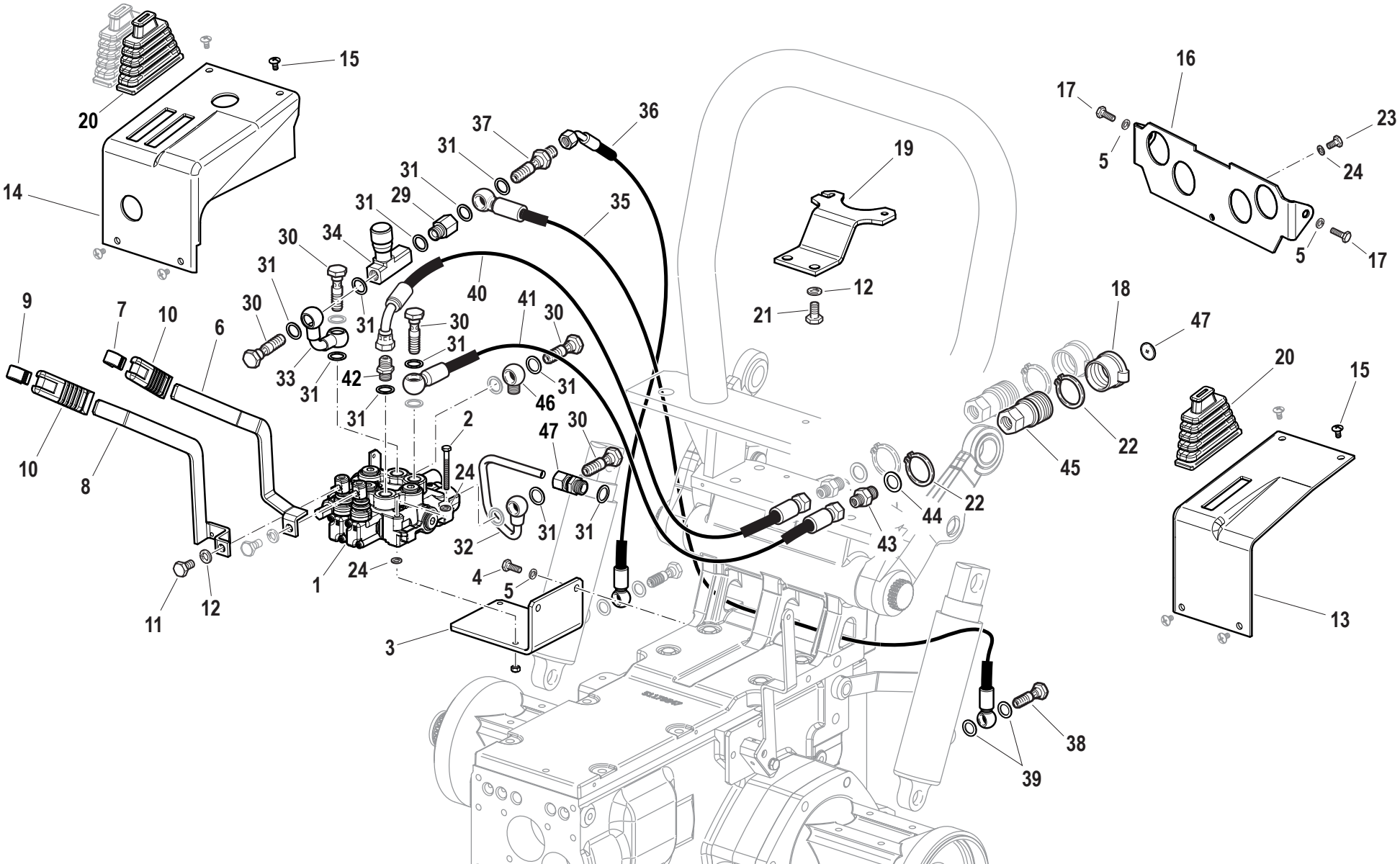


F.04.01.L40023_0.ai

Pos.	Code	Q.ty	Description	Notes
1	59379589	1	COMPLETE MAX PRESSURE VALVE	
2	38112982	1	O-RING	
3	F0803199010	1	O-RING 132 (23,81X2,62)	
4	F0803072050	1	O-RING 2093 (23,52x1,78)	
5	580A1227	1	MOLLA VALV.MAX.PRESS.36-65	
6	F0843526000	1	WASHER 4,3x12/1,5	
7	563A3038	1	RACC.REGOLAT.PRESSIONE K60-V65	
8	F0844200050	1	COPPER WASHER 20,0x26/1,5	
9	56179531	1	SMALL BLOCK	
10	38110992	2	O-RING 112 (9,92X2,62)	
11	F0862345000	2	SCREW M6X40 UNI 5737	
12	F0843570000	2	WASHER 6	
13	58172463	2	ELECTRO VALVE	
14	59271011	1	UNIT	
15	F0843948000	1	COPPER WASHER 14,0x20/1,5	
16	F0843771000	4	COPPER WASHER 10,0x16/1	
17	590A0570	1	TUBO MANDATA FRIZ.PDF 55-65	
18	590A0571	1	TUBO BLOCC.DIFF.POST.55-65	
19	58174547	1	NIPPLE	
20	580A0536	1	TUBO FLESS.BLOC.ELETTR.55-65CV	
21	56178695	3	THREADED TERMINAL END	
22	P25412400000	6	WASHER	
23	F0843107000	1	PIPE FITTING GAS 1/4	
24	F0843907000	2	COPPER WASHER 13,66x19/1,5	
25	580A1908	1	CAVO ALIMENT.LATO DX 55-65	
26	P28120700000	2	PIPE FITTING	
27	F0852578060	1	CONICAL PLUG	
28	F0862448100	1	SCREW M8X10 UNI 5740	
29	F0824022000	1	SPECIAL GASKET D.8,4X12/1	



Pos.	Code	Q.ty	Description	Notes
1	51179547	1	2 EXTERNAL RAMS LIFT SUPPORT	
2	58175318	2	BUSHING	
3	56170017	1	PIN	
4	56370228	1	CYLINDRICAL PLUG	
5	31112211	4	SCREW TE M10X30 UNI 5739	
6	31112212	4	SCREW TE M10X35 UNI 5739	
7	F0863359000	4	SCREW M10X40 UNI 5737	
8	31112154	1	SCREW TE M8X40 UNI 5739 8G	
9	F0826056000	1	LUBRICATOR M10 UNI 7663A	
10	58075603	1	PLUG	
11	56579874	1	SHAFT	
12	31414400	2	WASHER 40	
13	F0801297050	2	SEEGER RING E 40x2,5 U/7436	
14	59079592	1	LIFTING ARM	
15	59079593	1	LIFTING ARM	
16	580A1345	2	CILINDRO SOLLEVATORE 55-65	
17	590A1645	2	PERNO INCERN.CILINDRO 36-65	
18	31111151	2	SCREW TE M8X16 UNI 5739 8G	
19	56349629	2	RING	
20	35131026	2	SEEGER RING E 25X2 UNI 7436	
21	59078588	1	CONNECTING BOLT	
22	F0851486000	1	SPLIT PIN	
23	590A0756	1	TUBO SFIATO 55-65	
24	590A2346	1	TUBO LUBR.INVERS.SINCR.55-65	
25	31112082	3	SCREW TE M6X12 UNI 5739 8G	
26	31450060	3	SMALL PLATE	
27	59271011	1	UNIT	
28	F0843948000	1	COPPER WASHER 14,0x20/1,5	



L.02.01.L40026_0

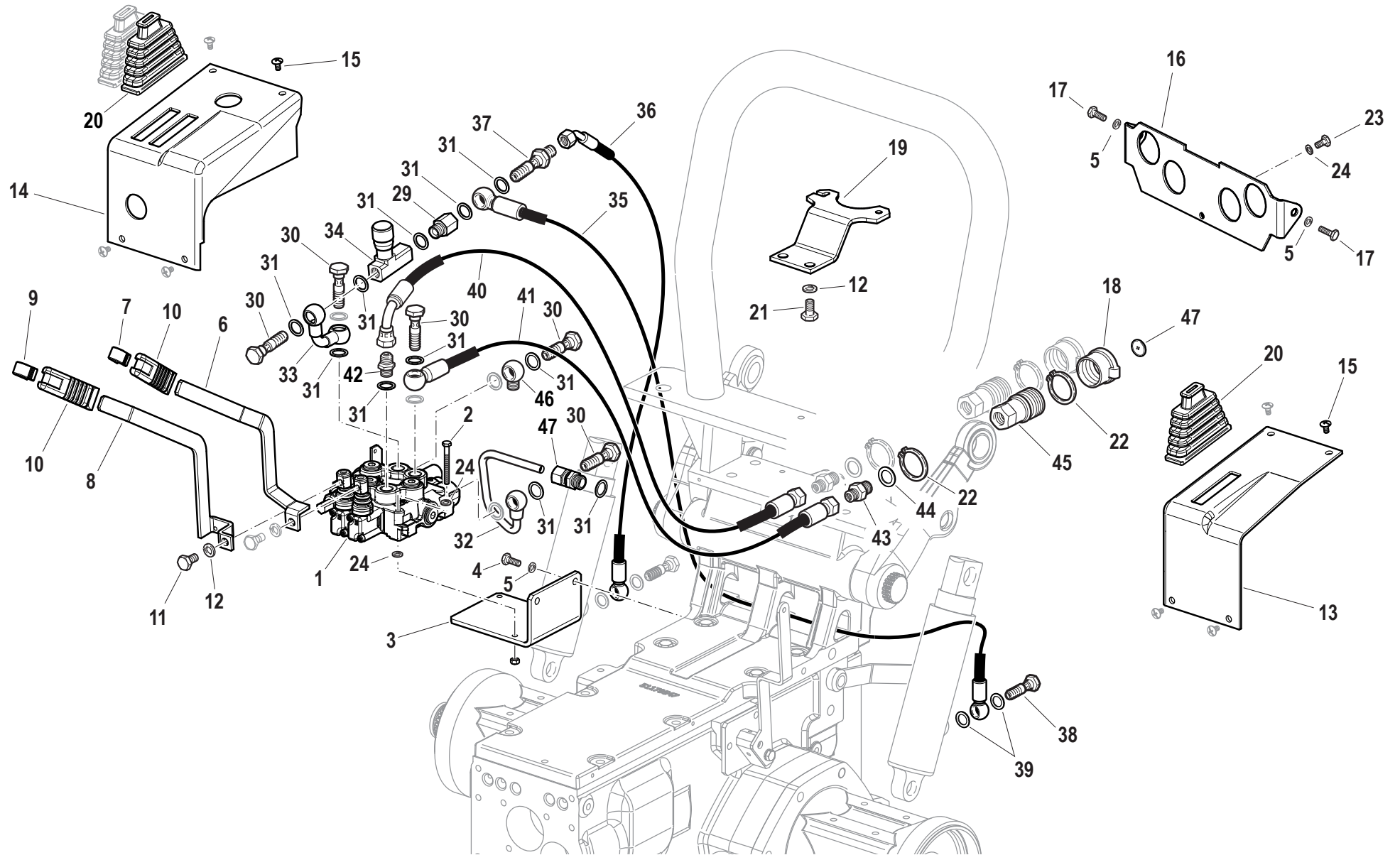
Pos.	Code	Q.ty	Description	Notes
1	581A0907	1	DISTRIBUTOR	
2	31111102	2	SCREW TE M6X50 UNI 5737 8G	
3	561A0002	1	RETAINER	
4	31112150	2	SCREW TE M8X20 UNI 5739 8G	
5	F0843643060	3	WASHER 8	
6	561A0003	1	DISTRIBUTOR LEVER	
7	58175188	1	INSERT	
8	561A0004	1	DISTRIBUTOR LEVER	
9	58175211	1	INSERT	
10	58175187	2	KNOB	
11	31112208	2	SCREW TE M10X16 UNI 5739	
12	F0843755000	2	WASHER 10	
13	573A2658	1	COPERT.DX K60-V65 AR-REV-	
14	573A2659	1	COPERT.SX K60-65 AR-REV-	
15	F0861973100	8	SCREW M6X12 COMBI	
16	561A2379N	1	STAFFA SUPP.G.RAP.56-66CV-NERO	
17	31111151	1	SCREW TE M8X16 UNI 5739 8G	
18	F0852550100	2	PLUG	
19	561A2386N	1	STAFFA SUPP.3°PUNTO 56/66 NERO	
20	55178581	3	BELLOWS	
21	31112210	2	SCREW TE M10X20 UNI 5739	
22	F0801282000	4	SEEGER RING E 38 UNI 7435	
23	31111091	1	SCREW E M6X14 UNI 5739 8G	
24	F0843570000	3	WASHER 6	
28	58172015	1	PIPE FITTING	
29	30000200	2	EXTENSION	
30	F0843109020	5	PIPE FITTING	
31	F0824110000	14	COPPER WASHER 3/8 GAS	
32	590A0562	1	TUBO SCAR.DISTR.DX 55-65-AR-	
33	590A0544	1	TUBO REGOLATORE FLUSSO 55-65	
34	P24117100000	1	VALVE	
35	580A0533	1	TUBO FLESS.VALV/REGOL.55-65AR	
36	580A0534	1	TUBO FLESS.VALV.REGOL.55-65CV	
37	56375407	1	TONGUE	

SERIAL

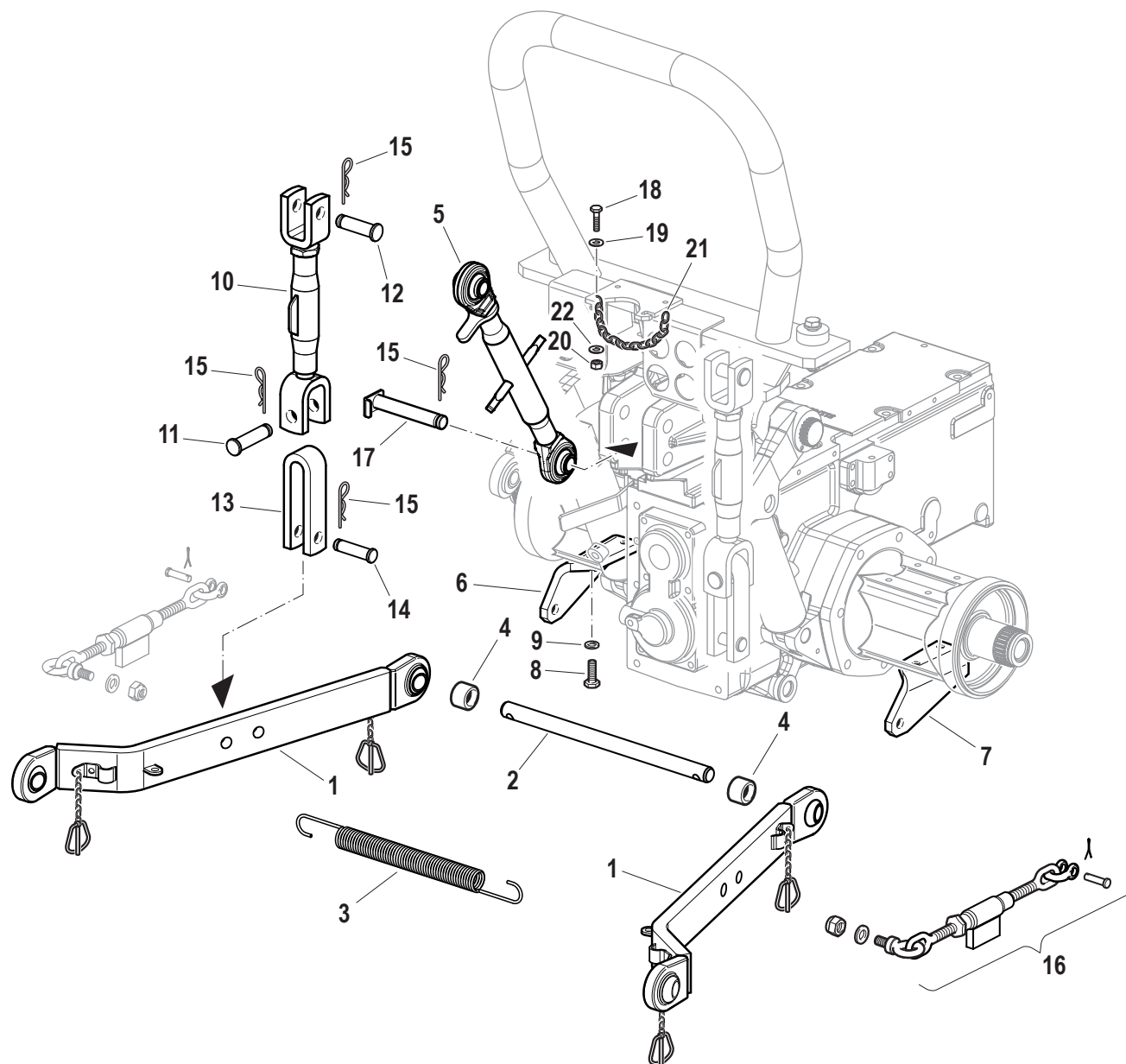
ALLESTIMENTO DISTRIBUTORI

CODE REV

L.02.01.L40026_0

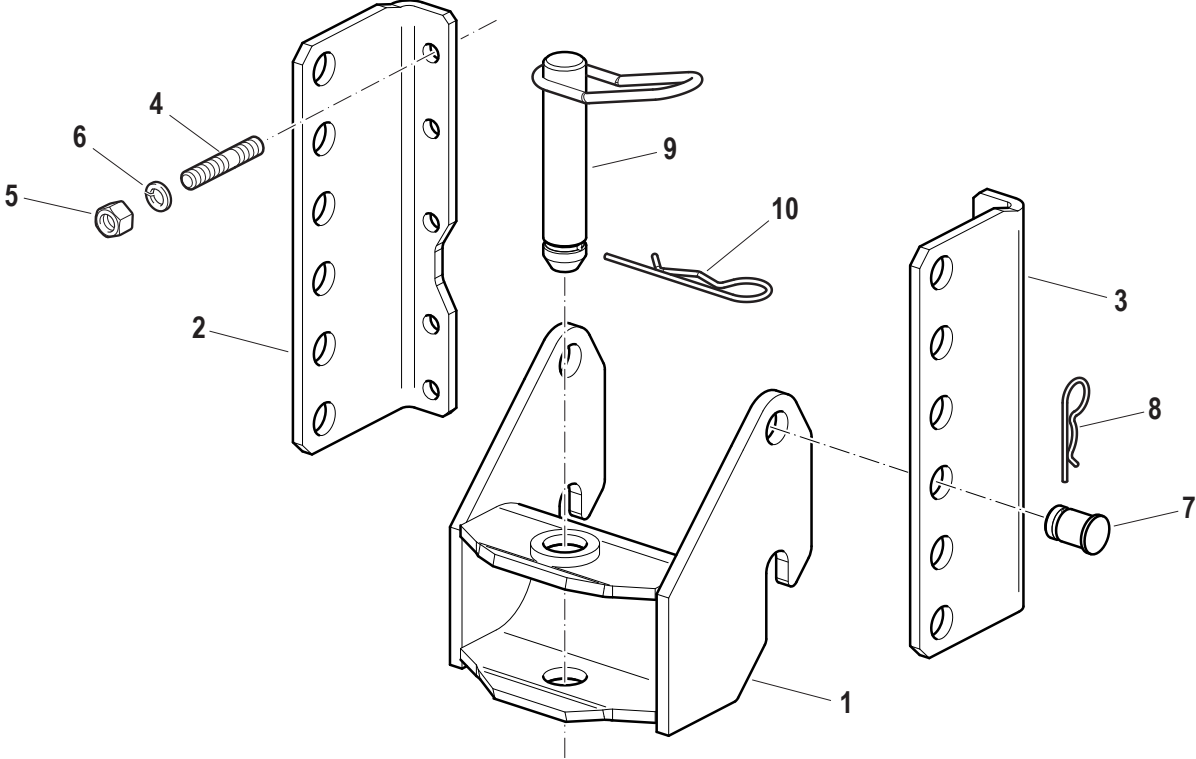


Pos.	Code	Q.ty	Description	Notes
38	F0843107000	2	PIPE FITTING GAS 1/4	
39	F0843907000	4	COPPER WASHER 13,66x19/1,5	
40	580A2605	1	TUBO FLESSIBILE K60-V65-REV-	
41	58075898	1	FLEXIBLE HOSE	
42	F0835023000	1	NIPPLE	
43	F0835040000	2	NIPPLE	
44	F0824141000	2	COPPER WASHER 21x27/1,5	
45	F0825980030	2	COUPLING	
46	F0842505030	1	PIPE FITTING	
47	F0852550200	1	DECAL	

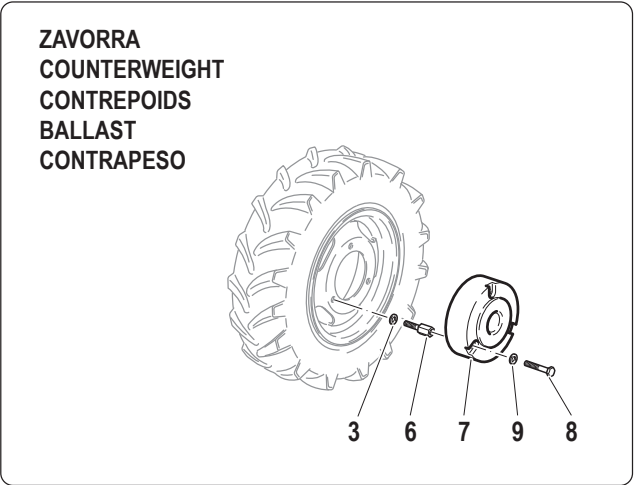
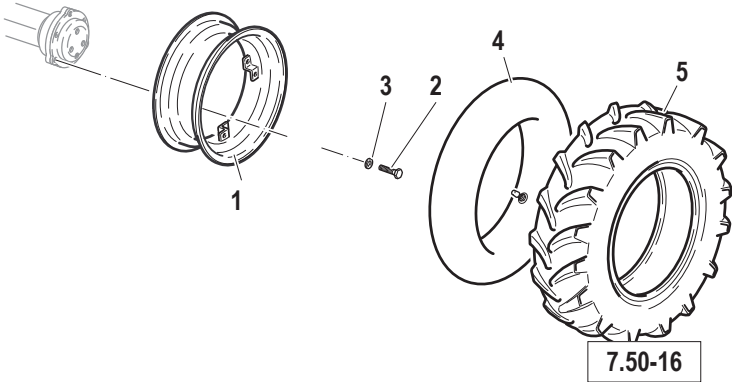


Pos.	Code	Q.ty	Description	Notes
1	58079788	2	BOTTOM LINK	
2	565A1468	1	BARRA ATT.BRACCI SOLL.36-65	
3	58072465	1	RETAINING SPRING	
4	561A1469	2	DIST.D.38x22/30 ZNT/B	
5	58079817	1	3-POINT HITCH	
6	56074233	1	SUPPORT	
7	56074234	1	SUPPORT	
8	31112211	4	SCREW TE M10X30 UNI 5739	
9	F0843755000	4	WASHER 10	
10	58079790	2	ROD	
11	563A2689	2	PERNO TIRANTE SOLLEV.75-95	
12	58072642	2	PIN	
13	56179791	2	BRACKET	
14	56372086	2	PIN	
15	F0851486000	4	SPLIT PIN	
16	58071998	2	ROD	
17	59078588	1	CONNECTING BOLT	
18	31112093	1	SCREW TE M6X20 UNI 5739 8G	
19	31411066	1	WASHER 6,6x18	
20	31211060	1	NUT M6	
21	58076369	1	CHAIN	
22	F0843570000	1	WASHER 6	

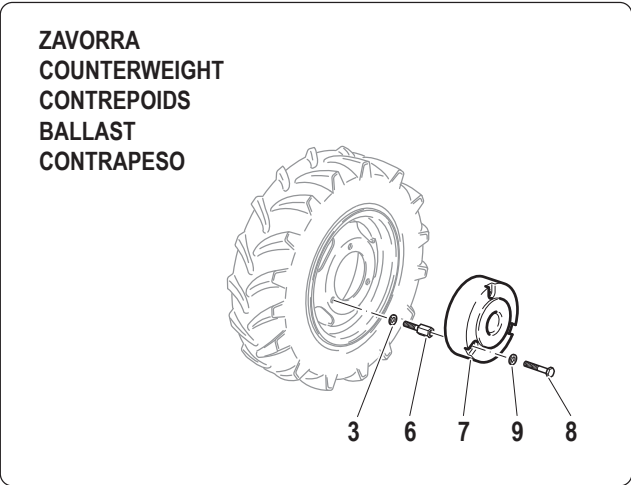
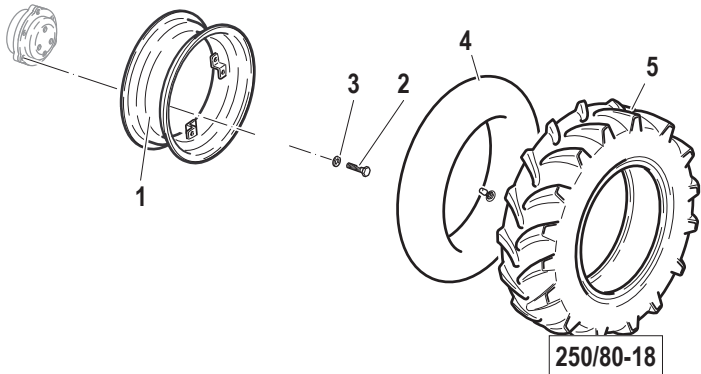
PULL HOOK - STANDARD



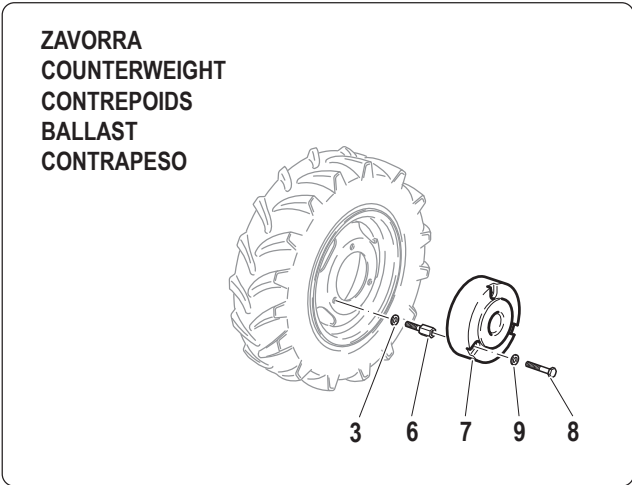
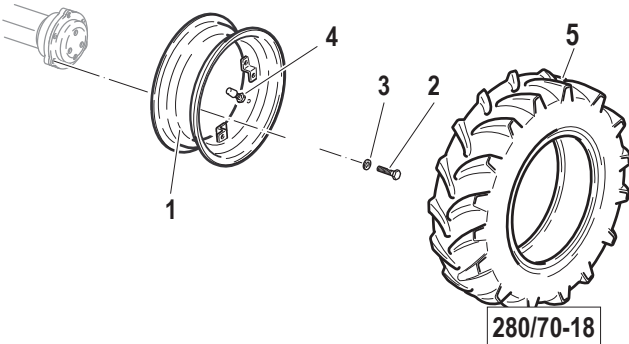
Pos.	Code	Q.ty	Description	Notes
1	590A0728	1	TOW HOOK	
2	56179326	1	SUPPORT	
3	56179327	1	SUPPORT	
4	F0838610000	10	STUD BOLT M12X25 UNI 5911	
5	F0814695000	10	NUT M12	
6	F0843843060	10	WASHER 12	
7	56372067	4	PIN	
8	F0851486000	4	SPLIT PIN	
9	F0808060100	1	LATCH D.28X117	
10	F0851497000	1	SPLIT PIN	



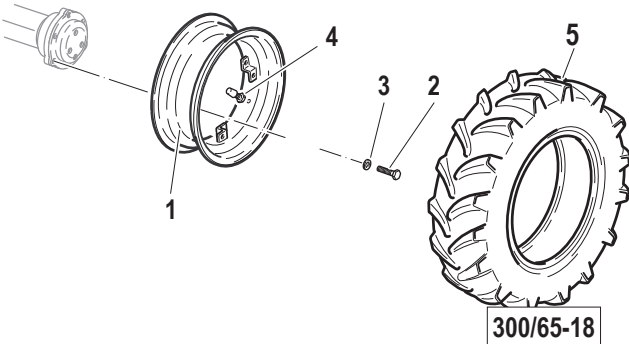
Pos.	Code	Q.ty	Description	Notes
1	592A0365	4	RIM	
2	F0864410500	12	SCREW M18X1,5/45 U/5740	
3	F0844150000	12	WASHER D.30x18,5/5	
4	F0848887000	4	INNER TUBE	
5	F0848635000	4	TYRE 7.50-16 8PR	
6	56370539	3	SPECIAL SCREW	
7	51172563	1	BALLAST	
8	F0864314000	3	SCREW M14X65 UNI 5737	
9	F0843993060	3	WASHER 28x15/4	



Pos.	Code	Q.ty	Description	Notes
1	592A0156	1	RIM	
2	F0864410500	3	SCREW M18X1,5/45 U/5740	
3	F0844150000	3	WASHER D.30x18,5/5	
4	F0848855000	1	INNER TUBE	
5	F0848655000	1	TYRE 250/80-18 8PR	
6	56370539	3	SPECIAL SCREW	
7	51172563	1	BALLAST	
8	F0864314000	3	SCREW M14X65 UNI 5737	
9	F0843993060	3	WASHER 28x15/4	



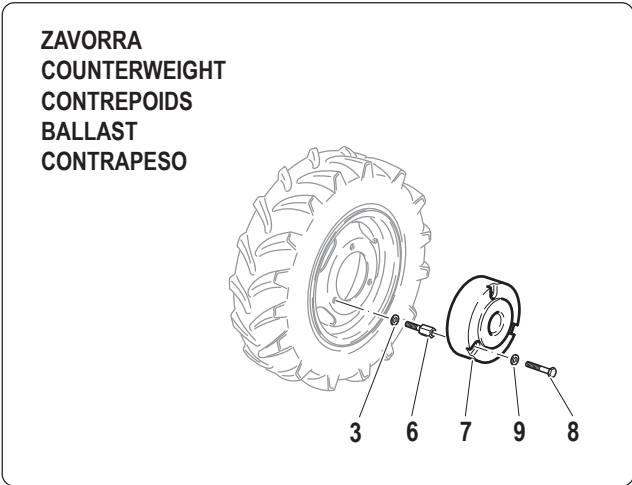
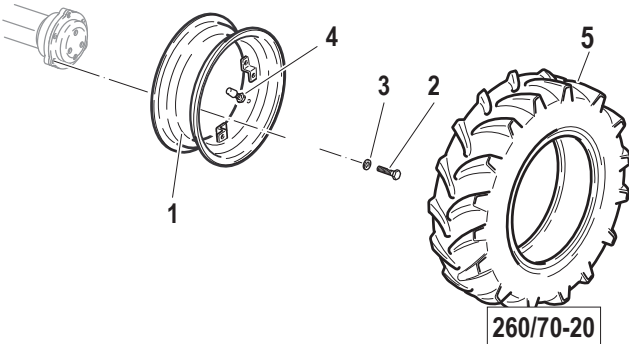
Pos.	Code	Q.ty	Description	Notes
1	59279887	1	RIM	
2	F0864410500	3	SCREW M18X1,5/45 U/5740	
3	F0844150000	3	WASHER D.30x18,5/5	
4	F0150010905	1	VALVE	
5	39118050	1	TYRE 280/70R18	
6	56370539	3	SPECIAL SCREW	
7	51172563	1	BALLAST	
8	F0864314000	3	SCREW M14X65 UNI 5737	
9	F0843993060	3	WASHER 28x15/4	



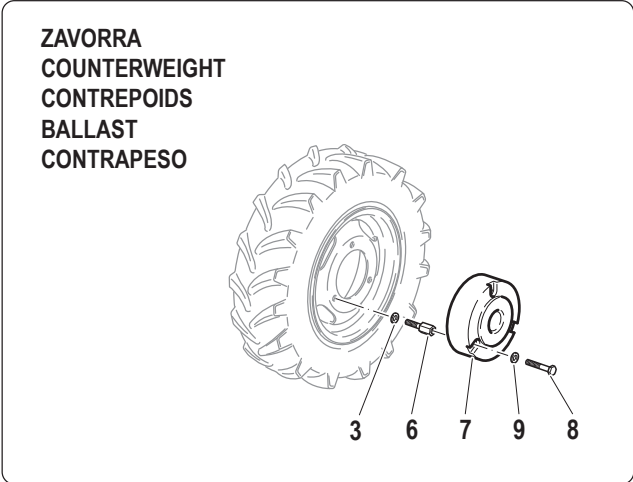
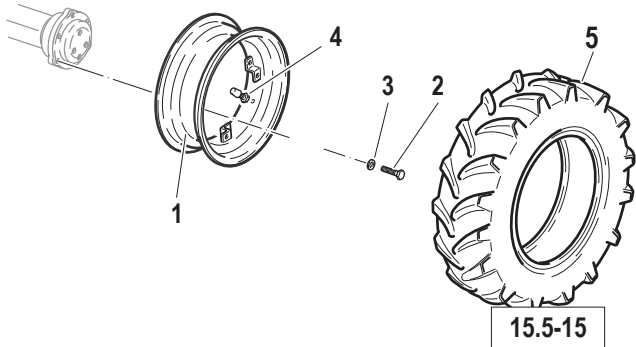
ZAVORRA
COUNTERWEIGHT
CONTREPOIDS
BALLAST
CONTRAPESO

3 6 7 8 9

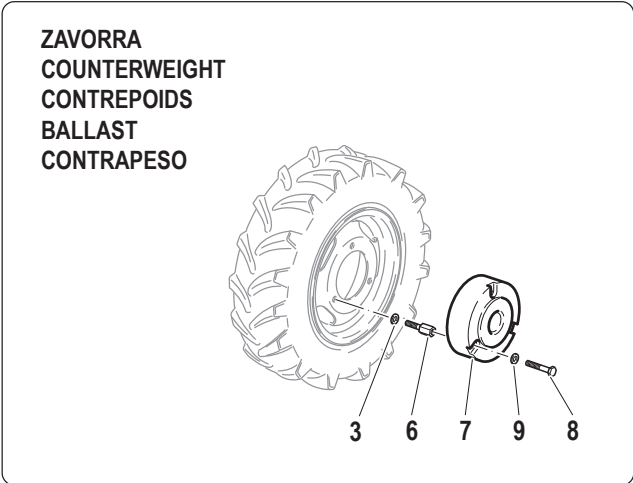
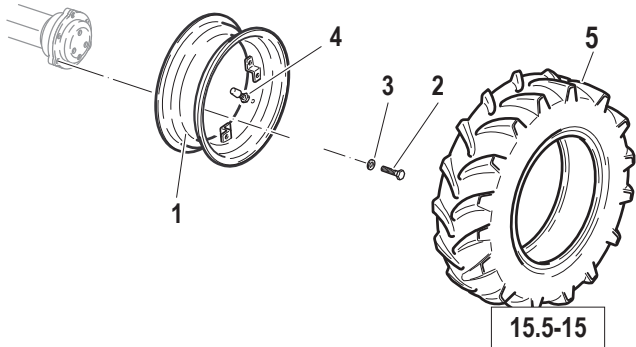
Pos.	Code	Q.ty	Description	Notes
1	59279887	1	RIM	
2	F0864410500	3	SCREW M18X1,5/45 U/5740	
3	F0844150000	3	WASHER D.30x18,5/5	
4	F0150010905	1	VALVE	
5	39121800	4	TYRE 300/65-18	
6	56370539	3	SPECIAL SCREW	
7	51172563	1	BALLAST	
8	F0864314000	3	SCREW M14X65 UNI 5737	
9	F0843993060	3	WASHER 28x15/4	



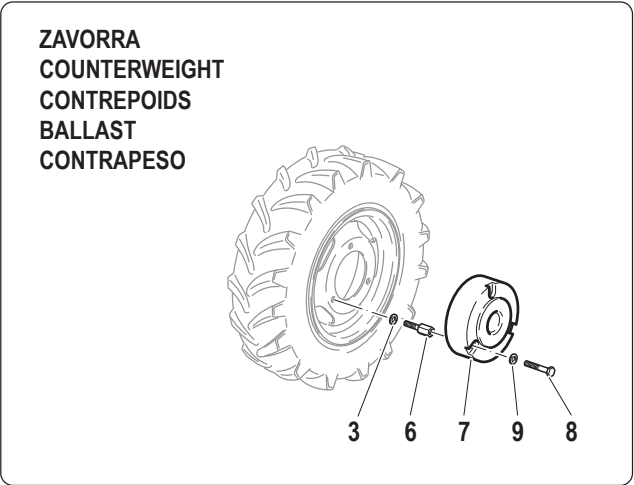
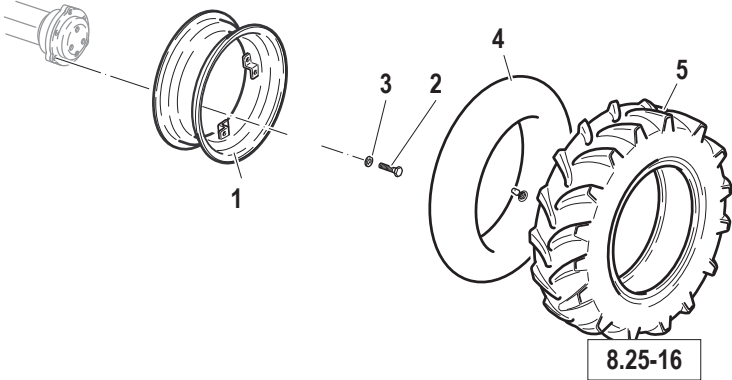
Pos.	Code	Q.ty	Description	Notes
1	59279877	1	RIM	
2	F0864410500	3	SCREW M18X1,5/45 U/5740	
3	F0844150000	3	WASHER D.30x18,5/5	
4	F0150010905	1	VALVE	
5	39118520	4	PN 260/70-R20 113A8/B RT765BKT	
6	56370539	3	SPECIAL SCREW	
7	51172563	1	BALLAST	
8	F0864314000	3	SCREW M14X65 UNI 5737	
9	F0843993060	3	WASHER 28x15/4	



Pos.	Code	Q.ty	Description	Notes
1	581A0370	1	RIM	
2	F0864410500	3	SCREW M18X1,5/45 U/5740	
3	F0844150000	3	WASHER D.30x18,5/5	
4	F0150010905	1	VALVE	
5	F0848681600	1	TYRE 31X15.5-15 8PR	
6	56370539	3	SPECIAL SCREW	
7	51172563	1	BALLAST	
8	F0864314000	3	SCREW M14X65 UNI 5737	
9	F0843993060	3	WASHER 28x15/4	



Pos.	Code	Q.ty	Description	Notes
1	581A0370	4	RIM	
2	F0864410500	3	SCREW M18X1,5/45 U/5740	
3	F0844150000	3	WASHER D.30x18,5/5	
4	F0150010905	4	VALVE	
5	F0848681500	4	TYRE 31X15.5-15 8PR	
6	56370539	3	SPECIAL SCREW	
7	51172563	1	BALLAST	
8	F0864314000	3	SCREW M14X65 UNI 5737	
9	F0843993060	3	WASHER 28x15/4	



Pos.	Code	Q.ty	Description	Notes
1	592A0365	1	RIM	
2	F0864410500	3	SCREW M18X1,5/45 U/5740	
3	F0844150000	3	WASHER D.30x18,5/5	
4	F0848887000	1	INNER TUBE	
5	F0848648000	1	TYRE 8.25-16 06 TT	
6	56370539	3	SPECIAL SCREW	
7	51172563	1	BALLAST	
8	F0864314000	3	SCREW M14X65 UNI 5737	
9	F0843993060	3	WASHER 28x15/4	